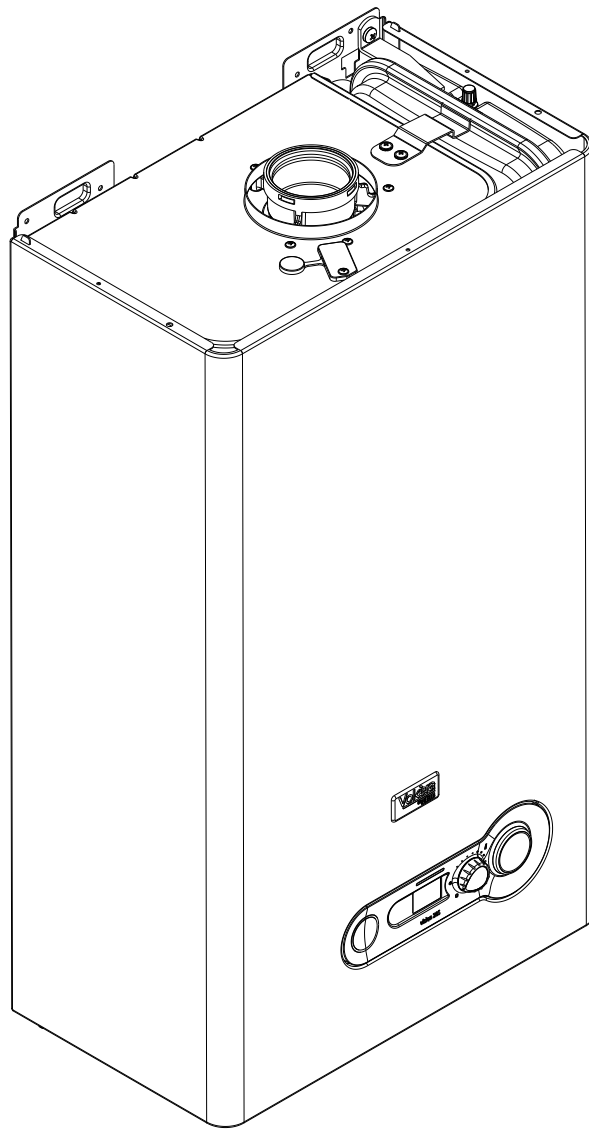
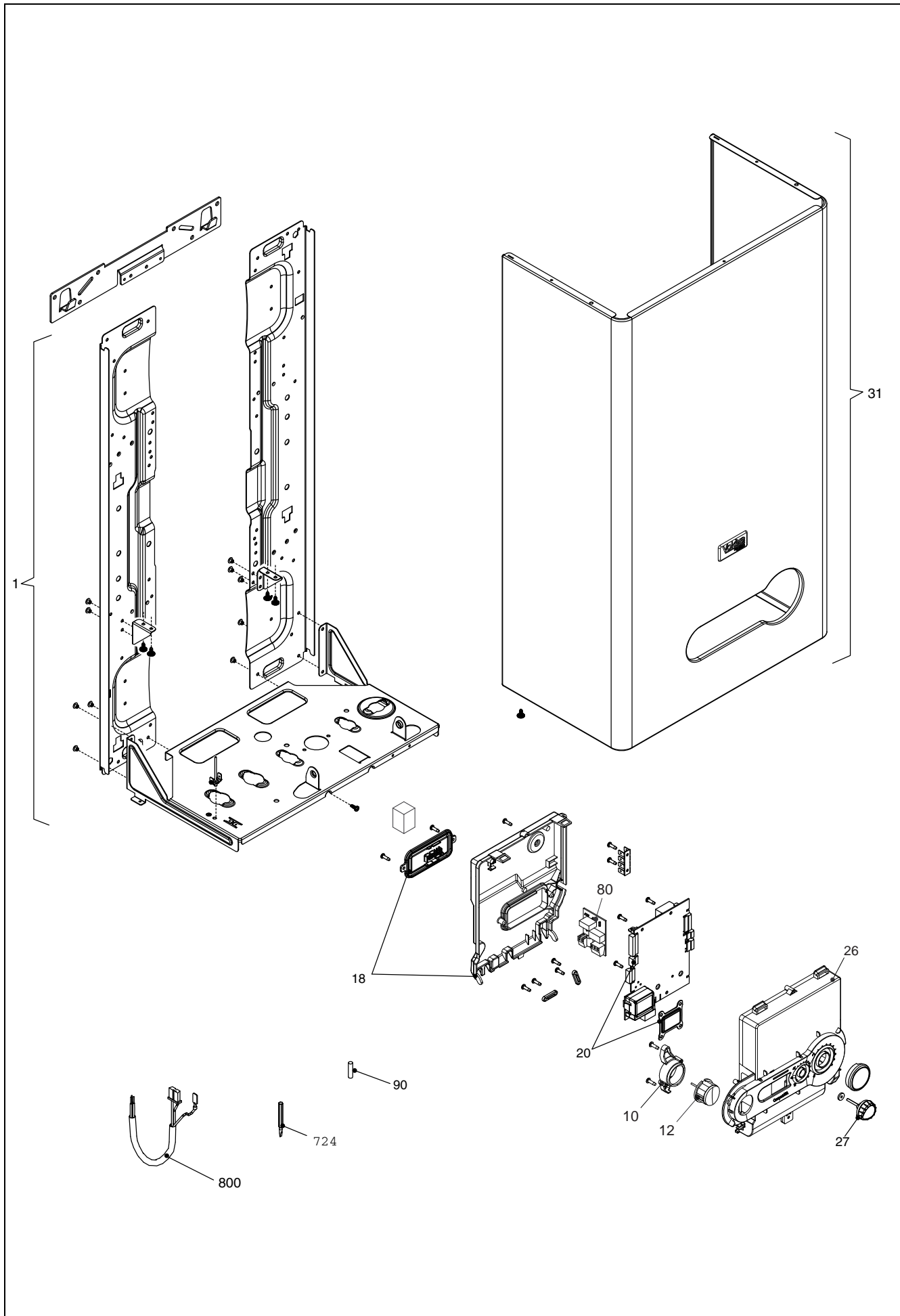


Wall hung boilers

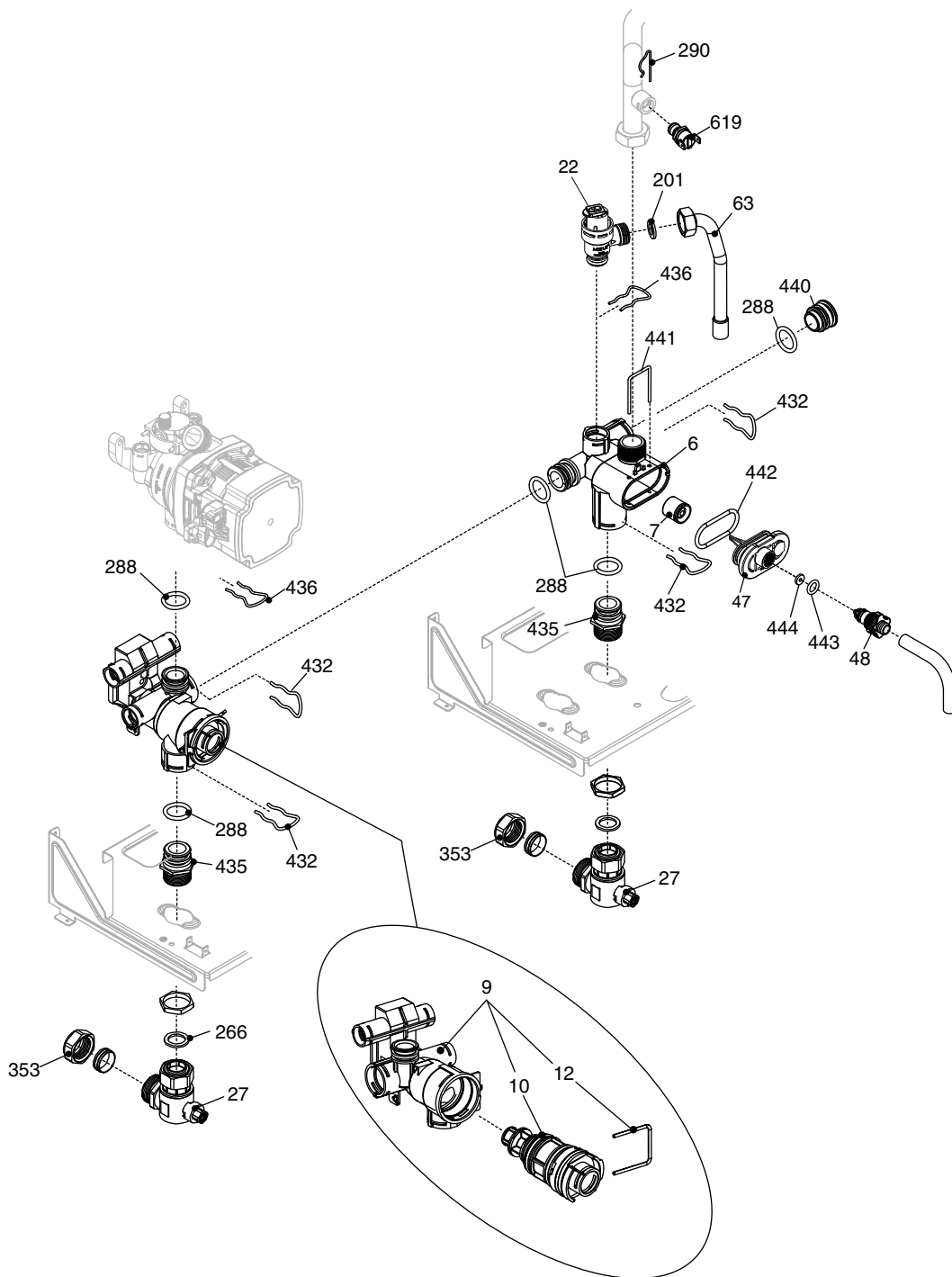
VISION 20S



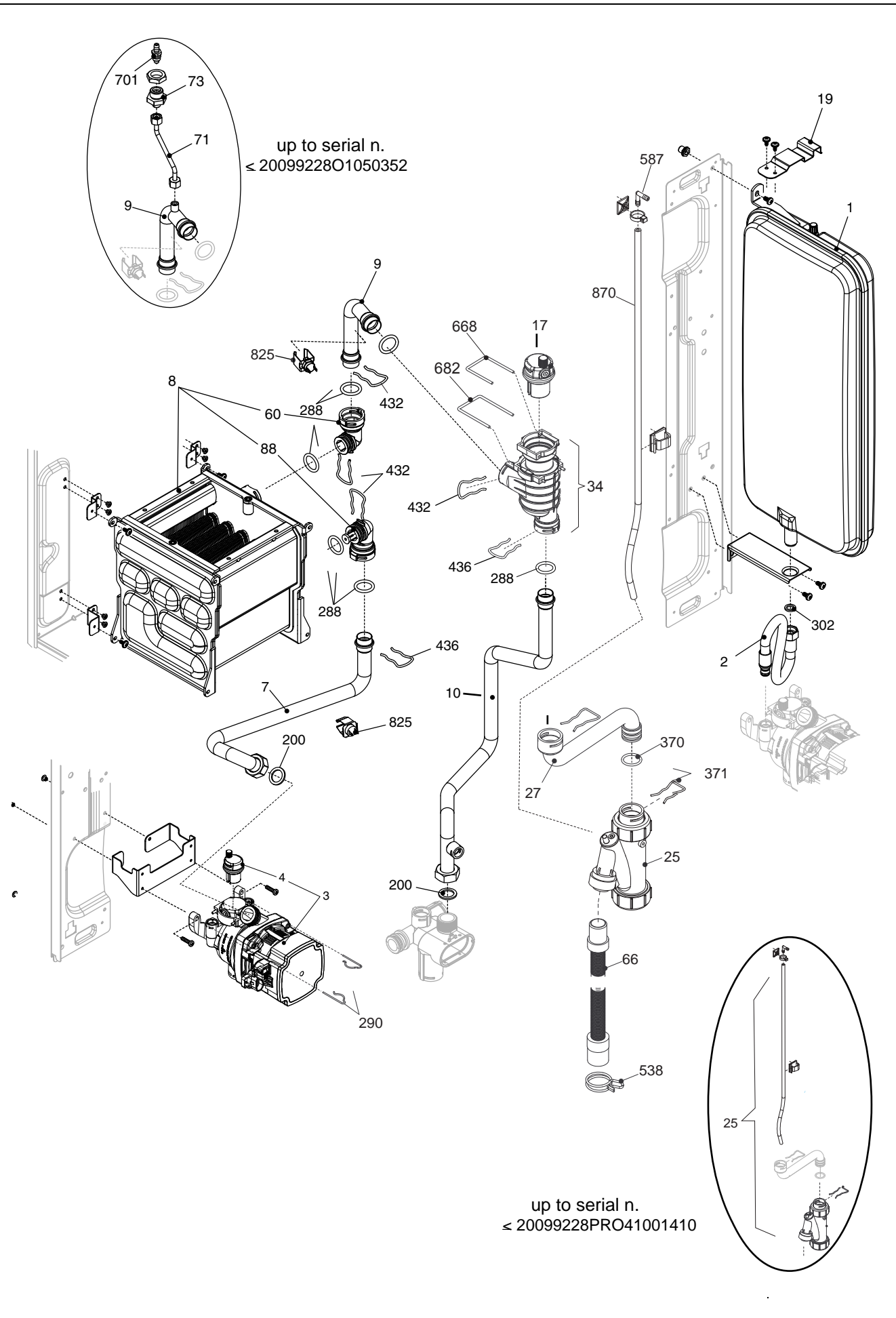
MODEL	PART NUMBER	
	MTN	GPL
Vision 20S	20099228	-



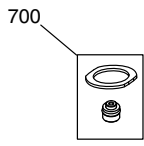
POS.	DESCRIPTION	20s
1	Frame assembly	20049618
10	Water gauge carrier	20101724
12	Pressure gauge	20141386
18	Control panel cover	20101178
20	Printed circuit board (up to serial n. \leq 20099228N0850168)	20071334
20	Printed circuit board (from serial n. \geq 20099228N0850169)	20145178
26	Instrument panel	20101180
27	Knob	20057330
31	Case Assembly	20073523
80	Printed circuit board	20076436
90	Fuse	R3478
724	Calibration screwdriver	R2455
800	Wiring harness	20076437
800	Power wiring harness	20096531
800	Low tension cable	20035502



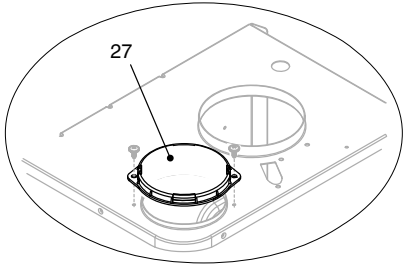
POS.	DESCRIPTION	20s
6	By-pass casing	R10024641
7	By-pass valve	R1552
9	Heating manifold and cartridge	R10027768
10	3 way valve cartridge	R10025305
12	Clip	R10025450
22	Safety valve	20043820
27	Heating cock	R1789
47	Cover for by-pass assembly	20133375
48	Cock	R10024646
63	Pipe	20025755
201	Washer	R5026
266	Washer	R5237
288	Ring	R6898
290	Clip	R2165
353	Nut	R1824
432	Clip	R10024958
435	Fitting/union	R10025059
436	Clip	R10025062
440	Automatic by-pass plug	R10024645
441	Clip	R10025063
442	O ring	R10025065
443	O ring	R10025064
444	Washer	R10025066
619	Pressure	20003181



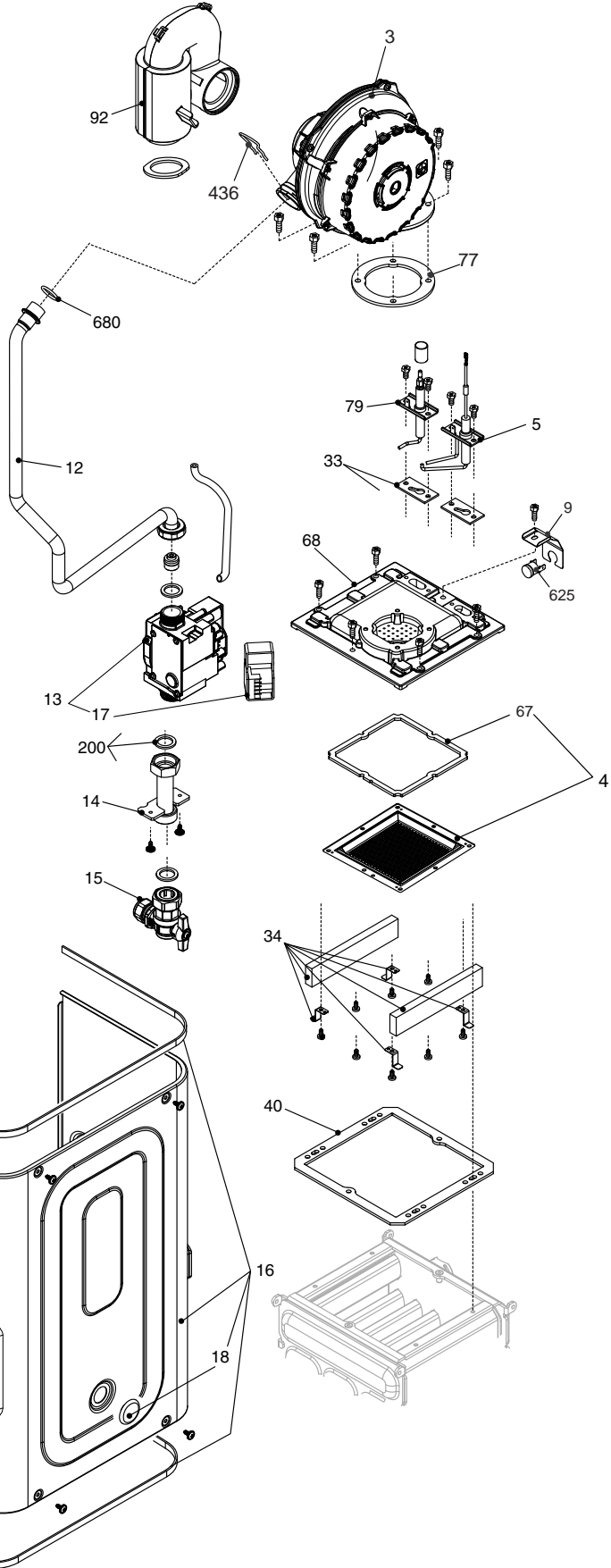
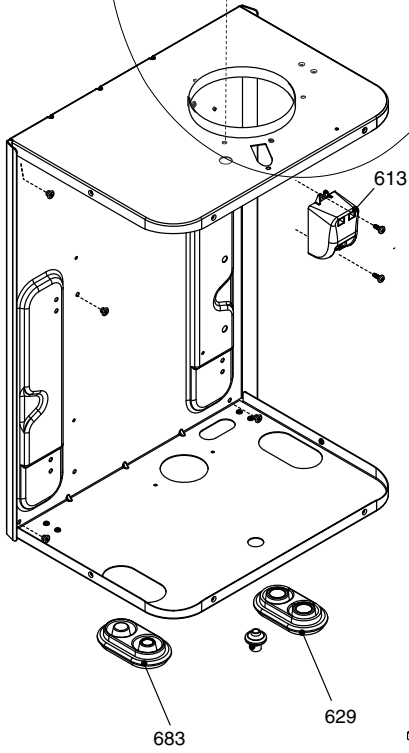
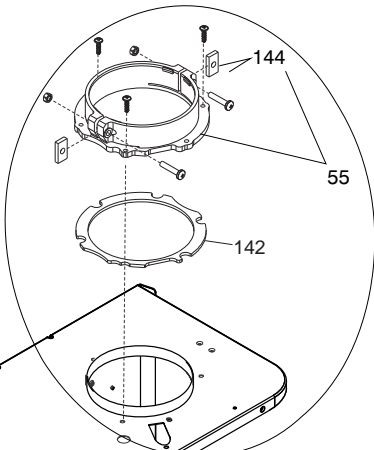
POS.	DESCRIPTION	20s
1	8 lt. expansion vessel	20138101
2	Pipe	R10028603
3	6m. pump	20136316
4	Air vent bottle	R10025485
7	Pipe	20166123
8	Condensing exchanger assembly	20163794
9	Pipe (up to serial n. \leq 20099228O1050352)	20090680
9	Pipe (from serial n. \geq 20099228O1050353)	20161310
10	Pipe	20166124
17	Air vent valve	20147535
19	expansion vessel bracket	20125261
25	Condensation drainage syphon (up to serial n. \leq 20099228PR41O001410)	20155759
25	Siphon (from serial n. \geq 20099228PR41O001411)	20169889
27	Condensation outlet tube	20025743
34	Degasser kit	20032553
60	Connection	20039953
66	Flexible pipe	R10027545
71	Pipe (up to serial n. \leq 20099228O1050352)	20025746
73	Cock (up to serial n. \leq 20099228O1050352)	R10028431
88	Connection	20039954
200	Washer	R5023
288	O-ring	R6898
290	Clip	R2165
302	Washer	R5025
370	O-ring	R10023533
371	Clip	R10023532
432	Clip	R10024958
436	Clip	R10025062
538	Hose clamp	20152306
587	Connection (from serial n. \geq 20099228PR41O001411)	R10030382
668	Clip	20019767
682	Clip	20120828
701	Vent plug (up to serial n. \leq 20099228O1050352)	R10023235
825	NTC Detector	20078350
870	Silicone tube (from serial n. \geq 20099228PR41O001411)	20169891



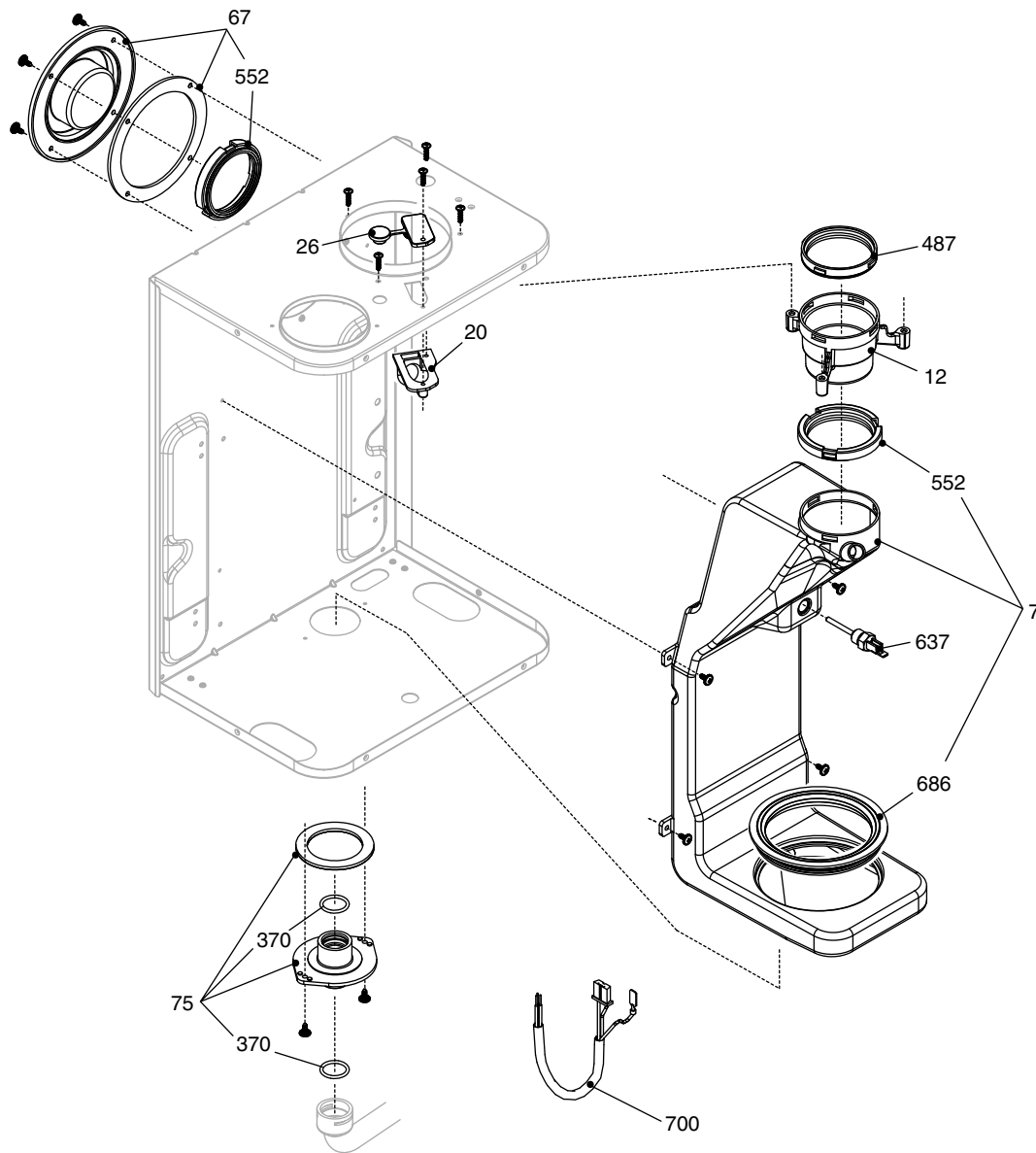
up to serial number
≤ PR41O001410



from serial number
≥ PR41O001411



POS.	DESCRIPTION	20s
3	Integrated fan	20081316
4	Burner	20044892
5	Spark ignition electrode	20025737
9	Clip	20093799
12	Pipe	20025745
13	Gas valve	20039202
14	Gas pipe	20005553
15	3/4" gas cock	R10020897
16	Combustion chamber cover	20005594
17	Gas valve solenoid	20040675
18	Plug	20005550
27	Hole cover (up to serial n. ≤PR41O001410)	20005586
33	Electrode seal	20025740
34	Protection	20044890
40	Heat exchanger gasket (25kw)	20160018
55	Fumes flange (from serial n. ≥PR41O001411)	20157132
67	Burner seal (25kw)	20160017
68	Cover	20044895
77	Washer	20025753
79	Flame sensor electrode	20043523
92	Silencer	20025760
142	Flange gasket (from serial n. ≥PR41O001411)	20157133
144	Flange gasket (from serial n. ≥PR41O001411)	20123098
200	Washer	R5023
436	Clip	R10025062
613	Ignition transformer	20001563
625	High limit thermostat	20005585
629	Sealing gasket	20166929
680	Washer	20024869
683	Sealing gasket	20166930
700	Ng conversion kit	20082915
700	LPG conversion kit	20082917



POS.	DESCRIPTION	20s
7	Conveyor	20055453
12	Flue drain connection	R10028421
20	Outlet nut	20026049
26	Plug	20026058
67	Drain plug	20000118
75	Flue clector	20026056
370	O ring	R10023533
487	Washer Ø 60	R10026345
552	Washer Ø 60	R10028426
637	Flue sensor	20007050
686	Washer	20026059
700	Combustion cable	20025736

Rev	Data	Descrizione
1.0	30/04/2015	Aggiunte trasformazioni gas – Corretto codice vaso espansione
2.0	07/04/2016	E00120150290 : tappo degasatore due fori Corretto disegno scatola aria – Aggiunta guarnizione bruciatore
3.0	07/02/2017	aggiunta staffa fissaggio vaso espansione – aggiunta molletta fissaggio tappo degasatore Corretto disegno coperchio camera combustione E00120170040 : Nuovo Brand Vokera by Riello – E00120170020 : Idrometro
4.0	20/07/2017	E00120170407 : coperchio corpo by-pass – E00120170341 : valvola sfogo aria E00120170129: circolatore
5.0	28/09/2017	E00120170441: vaso espansione
6.0	23/01/2018	E00120180036 : mollette su rampe alluminio E00120170542 : idrometro capillare rame – E00120170428 : Rampe alluminio
7.0	27/02/2018	E00120170696 : sifone modifica GAR E00120170611 : scheda modifica GAR (con gestione matricola)
8.0	24/09/2018	Aggiunta molletta fissaggio tubo tav.3 pos.538 – E00120180111 : valvola sfogo aria E00120180510 : traversa sostegno caldaia – E00120180460 : sifone condensa
9.0	18/01/2019	E00120180853 : sfiato aria manuale , cassa aria (con gestione matricola) E00120180694 : guarnizioni bruciatore e coperchio scambiatore
10.0	28/02/2019	Corretto numero matricola rif. E00120180853 (errata comunicazione da produttive)
11.0	20/06/2019	aggiunte guarnizioni tav.4 pos. 629 - 683 – E00120190230: rampe rame tav.3 pos. 7 - 10 adeguato disegno valvola sicurezza tav. 2 pos. 22 E00120190143 : scambiatore condensante tubi ovali
12.0	21/10/2019	E001 20190311 : sifone scarico condensa e coll. atmosferico (con gestione matricola) E001 20190263 : introduzione nuova flangia fumi



Vokera reserve the right to change the specifications without prior notice.
Consumers' statutory rights are not affected.