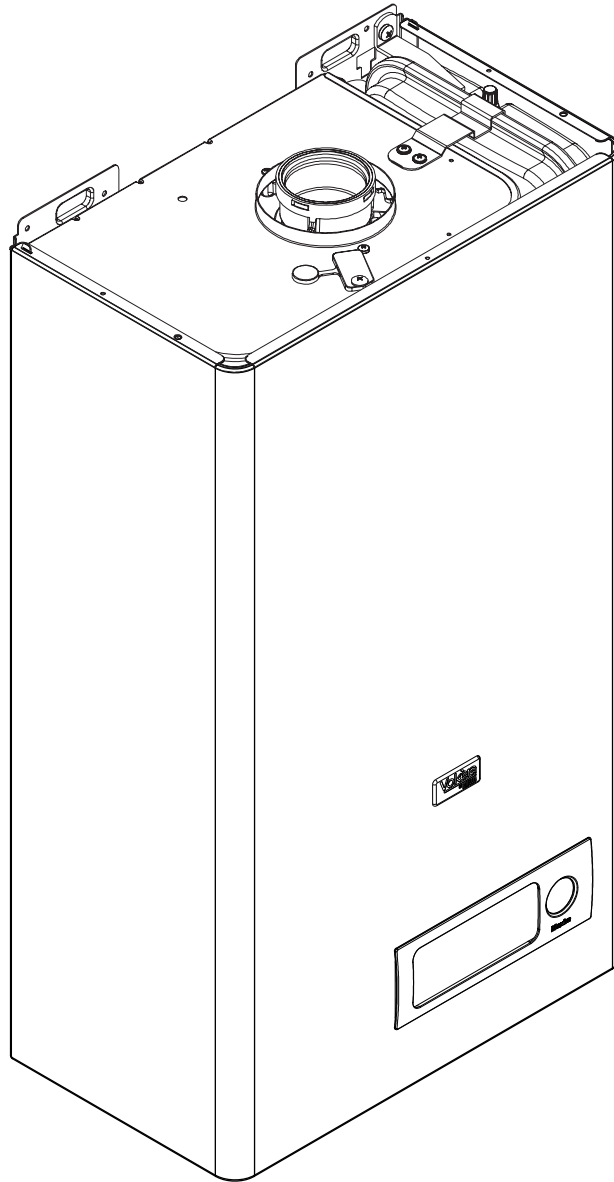
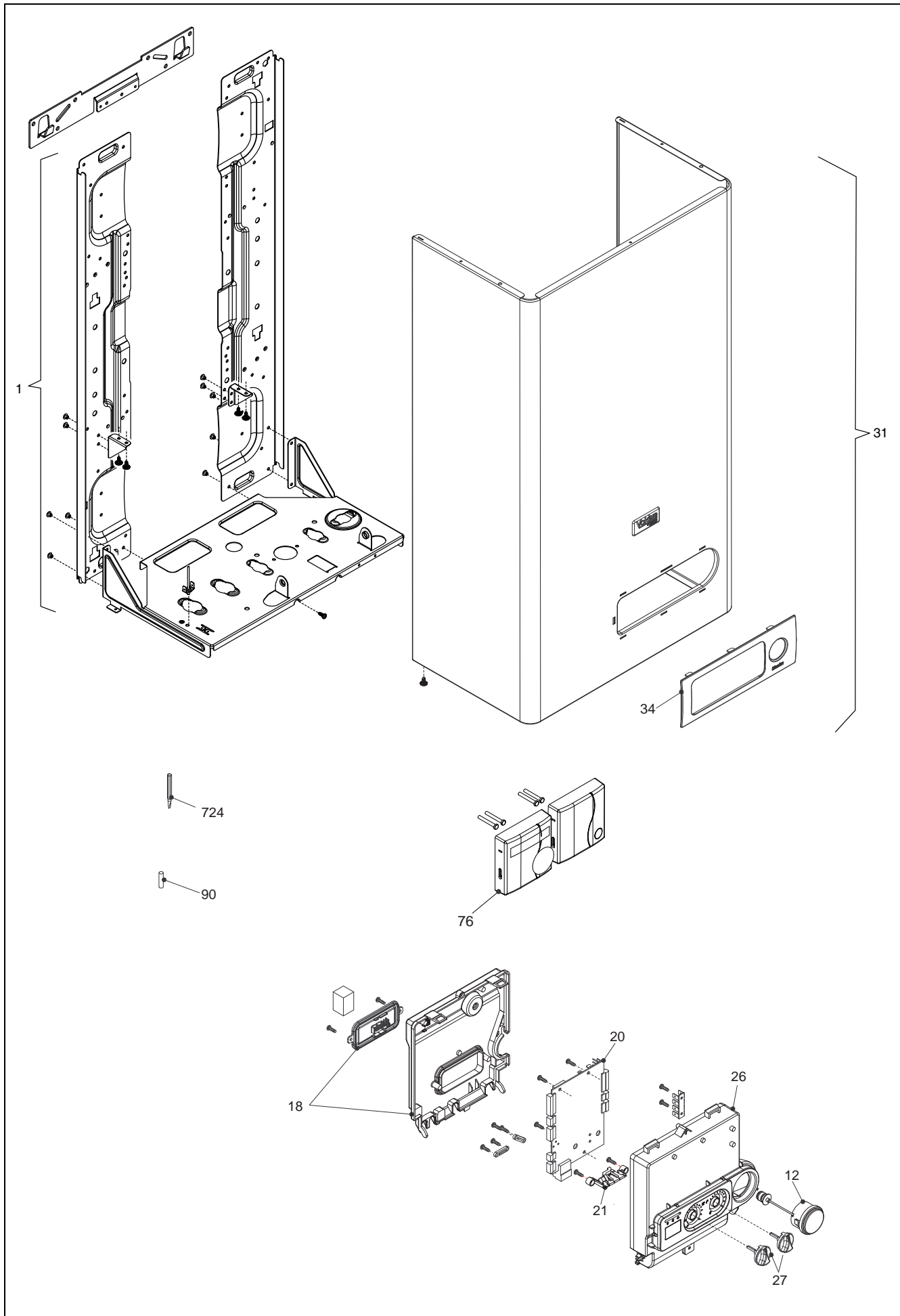


**Wall hung boilers**

**Maxim**



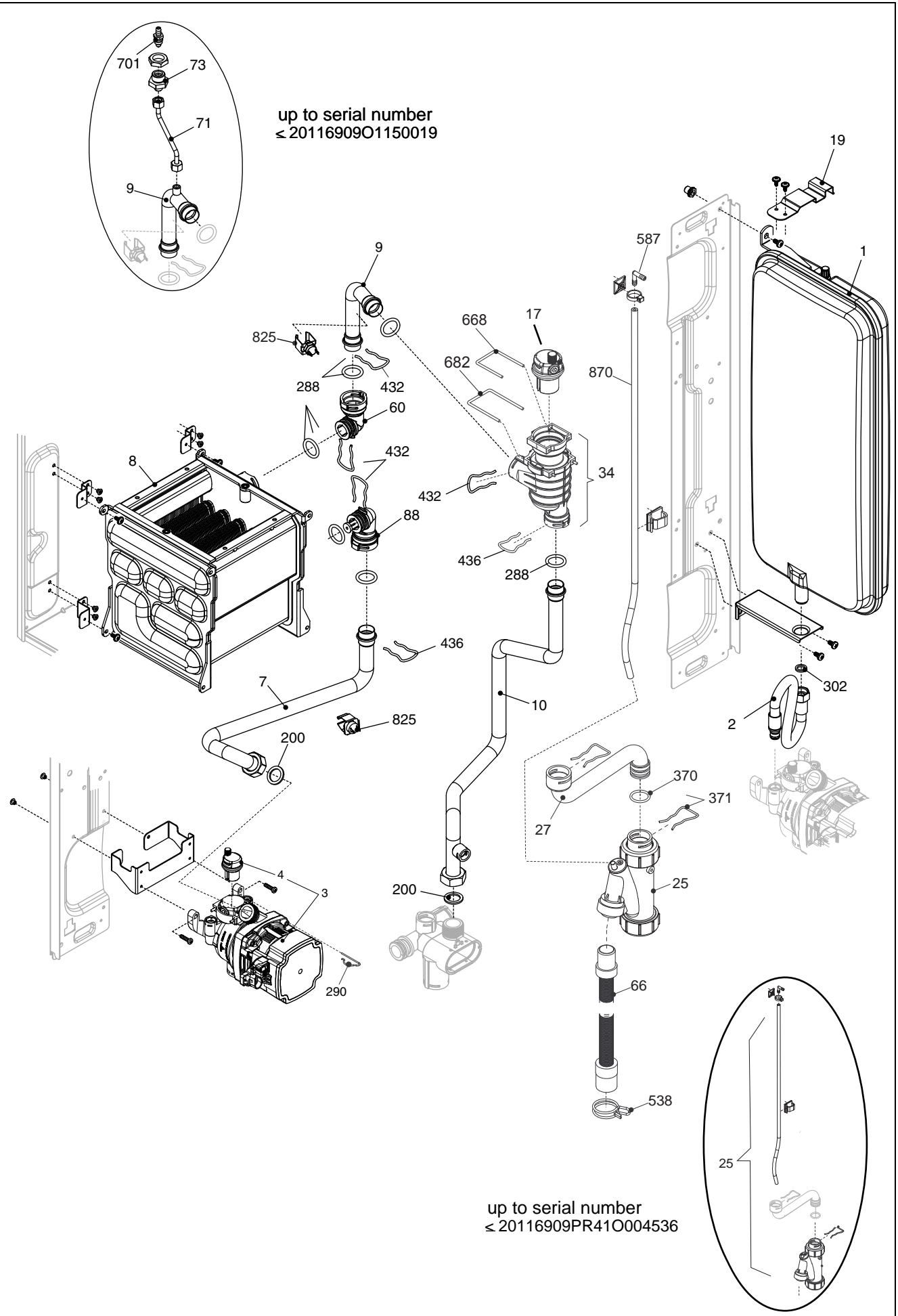
MODEL	PART NUMBER	
	MTN	GPL
Maxim 25	20116909	-



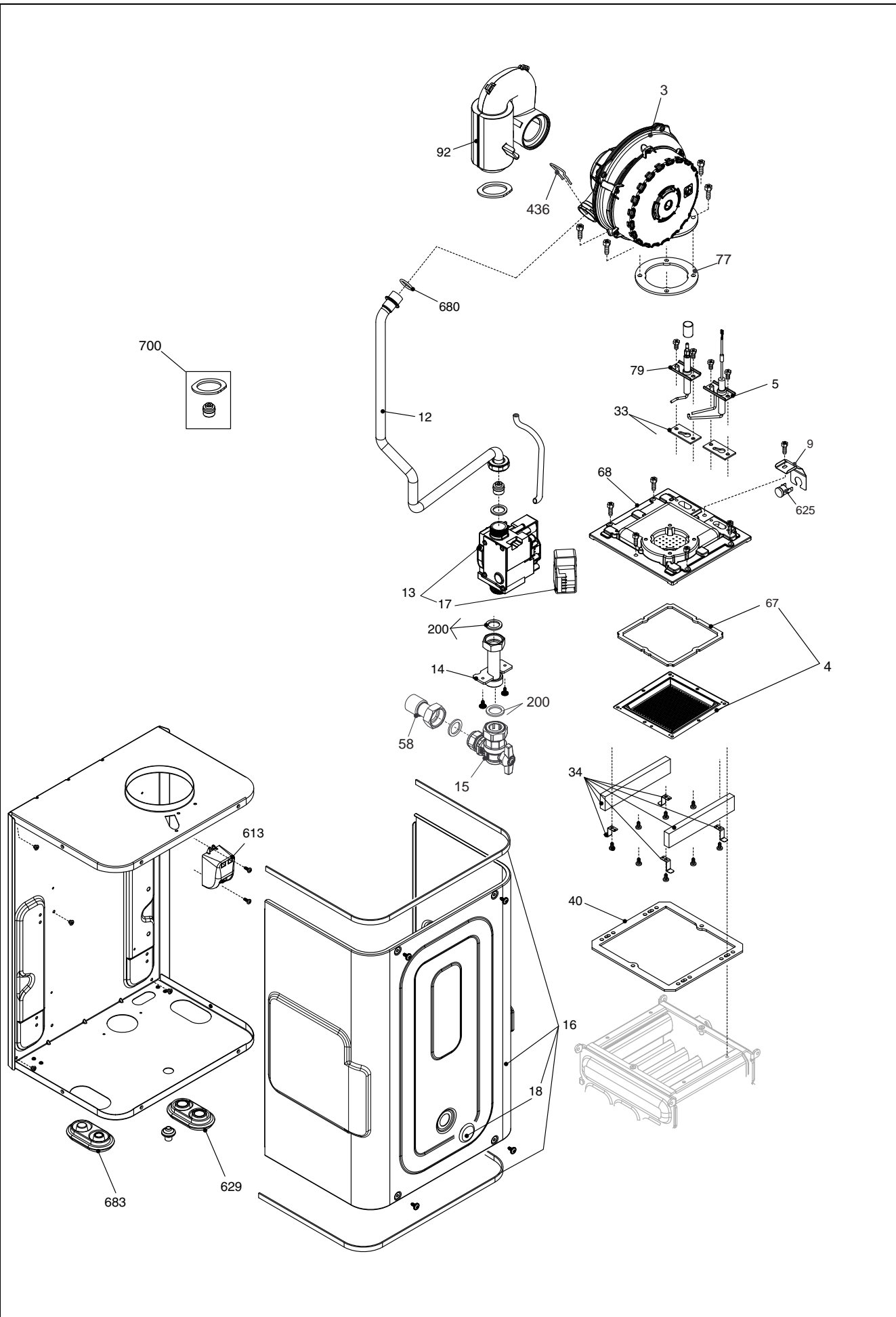
POS.	DESCRIPTION	25
2	Frame assembly	20049618
12	Quick primer pressure gauge	20005580
18	Control panel cover	20026055
20	Printed circuit board AKL03 (up to serial n. $\leq$ 20116909N1659999)	20069541
20	Printed circuit board (from serial n. $\geq$ 20116909N1750001)	20145176
21	led light guide	20013352
26	Instrumental panel	20118920
27	Control knob	20014025
31	Case Assembly	20119369
34	Frame	20119367
76	Remote control	20119368
90	Fuse	R3478
724	Calibration screwdriver	R2455



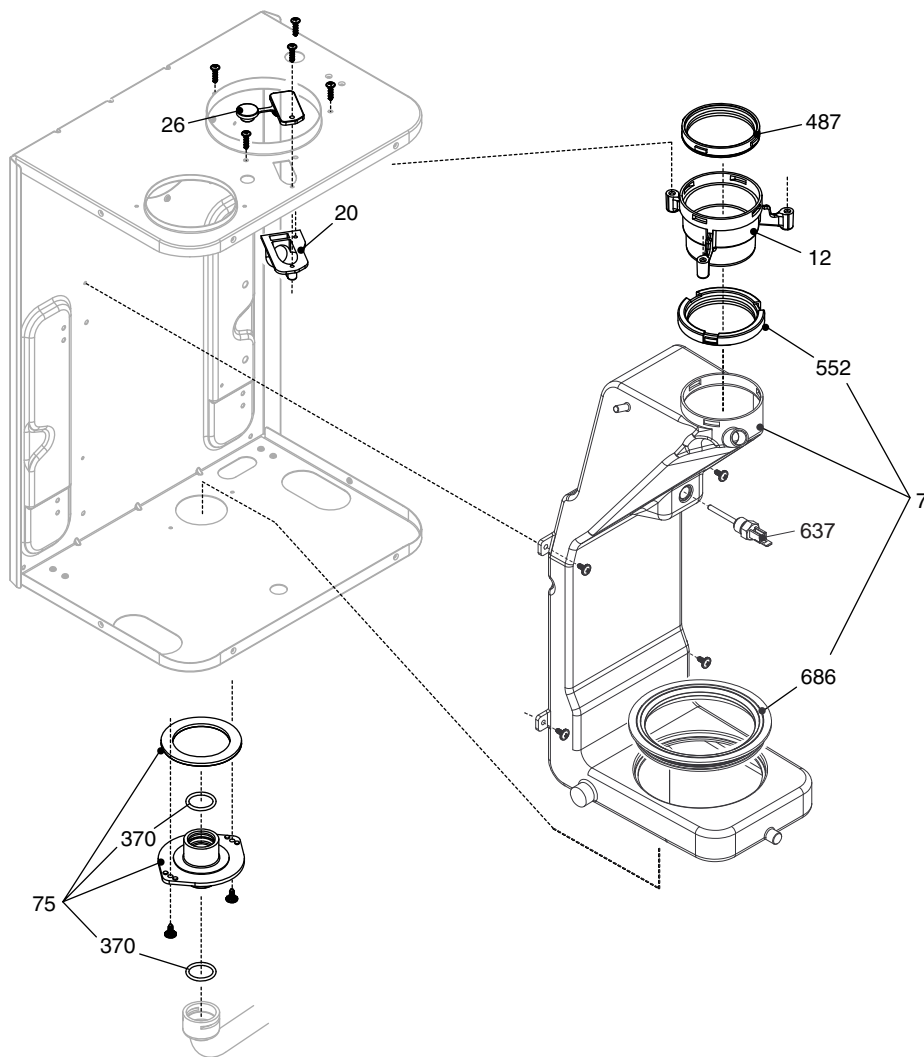
POS.	DESCRIPTION	25
1	Exchanger	R8036
2	Connection	R10030114
4	Non return valve	R10025056
6	By-pass casing	R10024641
7	High head by-pass valve	R1552
9	3-way heating manif.+cartridge	20021496
10	Cartridge	20043594
11	Actuator	20017594
13	Clip	20017598
22	Safety valve	20043820
24	Flow governor	R10026043
25	Pipe	20011423
26	Dhw actuator	20069786
27	3/4" heat water cock	R1592
28	Pipe	20025758
29	Pipe	20025756
30	Water supply stop cock	R1888
37	Pipe	R10025840
47	Cover for by-pass assembly	20133375
48	Cock	R10024646
58	Pipe	20025757
63	Pipe	20025755
200	Washer	R5023
201	Washer	R5026
288	O ring	R6898
290	Clip	R2165
432	Clip	R10024958
433	Clip	R10024986
434	Nipple	R10024985
435	Fitting/union	R10025059
436	Clip	R10025062
438	O ring	R10024988
439	Washer	R10025067
441	Clip	R10025063
442	O ring	R10025065
443	O ring	R10025064
444	Washer	R10025066
521	NTC sensor	R10027351
619	Pressure	20003181



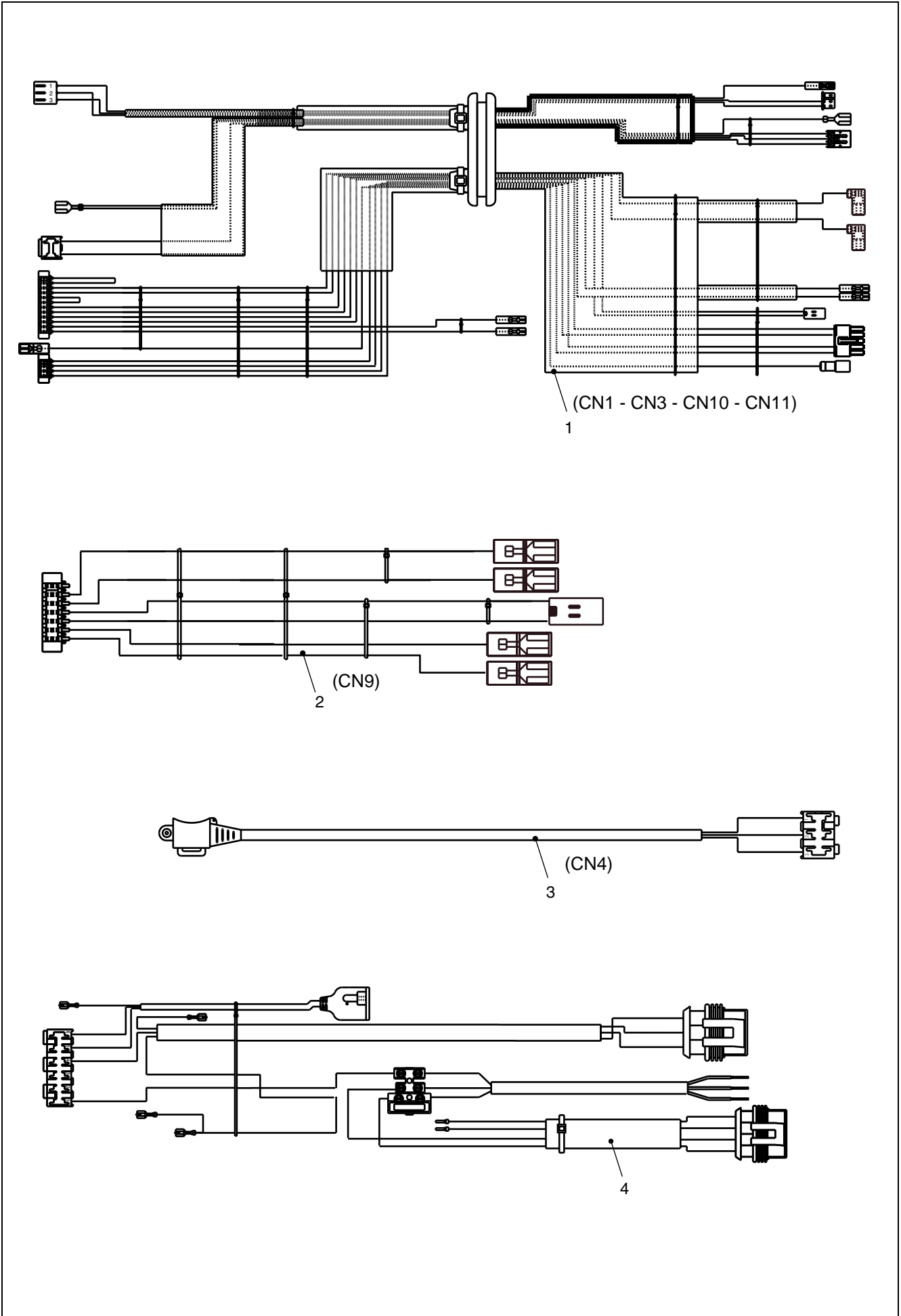
POS.	DESCRIPTION	25
1	8 lt. expansion vessel	20138101
2	Pipe	R10028603
3	6m. pump	20136316
4	Air vent bottle	R10025485
7	Pipe	20166123
8	Condensing exchanger assembly	20163794
9	Pipe (up to serial n. ≤ 20116909O1150019)	20090680
9	Pipe (from serial n. ≥ 20116909O1150020)	20161310
10	Pipe	20166124
17	Air vent valve	20147535
19	expansion vessel bracket	20125261
25	Condensation drainage syphon (up to serial n. ≤ 20116909PR41O004536)	20155759
25	Siphon (from serial n. ≥ 20116909PR41O004537)	20169889
27	Condensation outlet tube	20025743
34	Degasser kit	20032553
60	Connection	20039953
66	Flexible pipe	R10027545
71	Pipe (up to serial n. ≤ 20116909O1150019)	20025746
73	Cock (up to serial n. ≤ 20116909O1150019)	R10028431
88	Connection	20039954
200	Washer	R5023
288	O-ring	R6898
290	Clip	R2165
302	Washer	R5025
370	O-ring	R10023533
371	Clip	R10023532
432	Clip	R10024958
436	Clip	R10025062
538	Hose clamp	20152306
587	Connection (from serial n. ≥ 20116909PR41O004537)	R10030382
668	Clip	20019767
682	Clip	20120828
701	Vent plug (up to serial n. ≤ 20116909O1150019)	R10023235
825	NTC Detector	20078350
870	Silicone tube (from serial n. ≥ 20116909PR41O004537)	20169891



POS.	DESCRIPTION	25
3	Integrated fan	20081316
4	Burner	20044892
5	Spark ignition electrode	20025737
9	Clip	20093799
12	Pipe	20025745
13	Gas valve	20039202
14	Gas pipe	20005553
15	3/4" gas cock	R2266
16	Combustion chamber cover	20005594
17	Gas valve solenoid	20040675
18	Plug	20005550
33	Electrode seal	20025740
34	Protection	20044890
40	Heat exchanger gasket (25kw)	20160018
58	Pipe	20025757
67	Burner seal (25kw)	20160017
68	Cover	20044895
77	Washer	20025753
79	Flame sensor electrode	20043523
92	Silencer	20025760
200	Washer	R5023
436	Clip	R10025062
613	Ignition transformer	20001563
625	High limit thermostat	20005585
629	Sealing gasket	20166929
680	Washer	20024869
683	Sealing gasket	20166930
700	Ng conversion kit	20082915
700	LPG conversion kit	20082917



POS.	DESCRIPTION	25
7	Conveyor	20026060
12	Flue drain connection	R10028421
20	Outlet nut	20026049
26	Plug	20026058
75	Flue clector	20026056
370	O ring	R10023533
487	Washer Ø 60	R10026345
552	Washer Ø 60	R10028426
637	Flue sensor	20007050
686	Washer	20026059



POS.	DESCRIPTION	25
1	Combustion cable	20025736
2	Low tension cable	20113021
3	Hydraulic control cable	20017596
4	Power wiring harness	20101723

Rev.	data	Descrizione
1.0	26/04/2016	Aggiunte trasformazioni gas – Corretto codice vaso espansione Corretti disegni coperchio scat.aria e convogliatore – Corretto codice caldaia
2.0	17/02/2017	Aggiunta staffa fissaggio vaso espansione – Aggiunta molletta tappo degasatore E00120170025 : Nuovo Brand Vokera by Riello
3.0	06/09/2017	Aggiornato disegno raccordo collegamento scambiatore E00120170341 : valvola sfogo aria – E00120170441 : vaso espansione E00120170407: coperchio corpo by-pass – Razionalizzazione circolatori
4.0	23/01/2018	E00120180036 : mollette su rampe alluminio – E00120170428 : Rampe alluminio
5.0	19/04/2018	E00120170696 : sifone modifica GAR – E00120180111 : valvola sfogo aria E00120170611 : scheda modifica GAR (con gestione matricola)
6.0	06/09/2018	Aggiunta molletta fissaggio tubo tav.3 pos.538 E00120180510 : traversa sostegno caldaia – E00120180460 : sifone condensa
7.0	14/03/2019	E00120180694 : guarnizioni bruciatore e coperchio scambiatore E00120180853 : sfiato aria manuale , cassa aria (con gestione matricola)
8.0	19/06/2019	aggiunte guarnizioni tav.4 pos. 629 - 683 – E00120190230: rampe rame tav.3 pos. 7 - 10 adeguato disegno valvola sicurezza tav. 2 pos. 22 E00120190224 : standardizzazione flussostato E00120190143 : scambiatore condensante tubi ovali
9.0	15/10/2019	E001 20190311 : sifone scarico condensa e coll. atmosferico (con gestione matricola)




---

Vokera reserve the right to change the specifications without prior notice.  
Consumers' statutory rights are not affected.