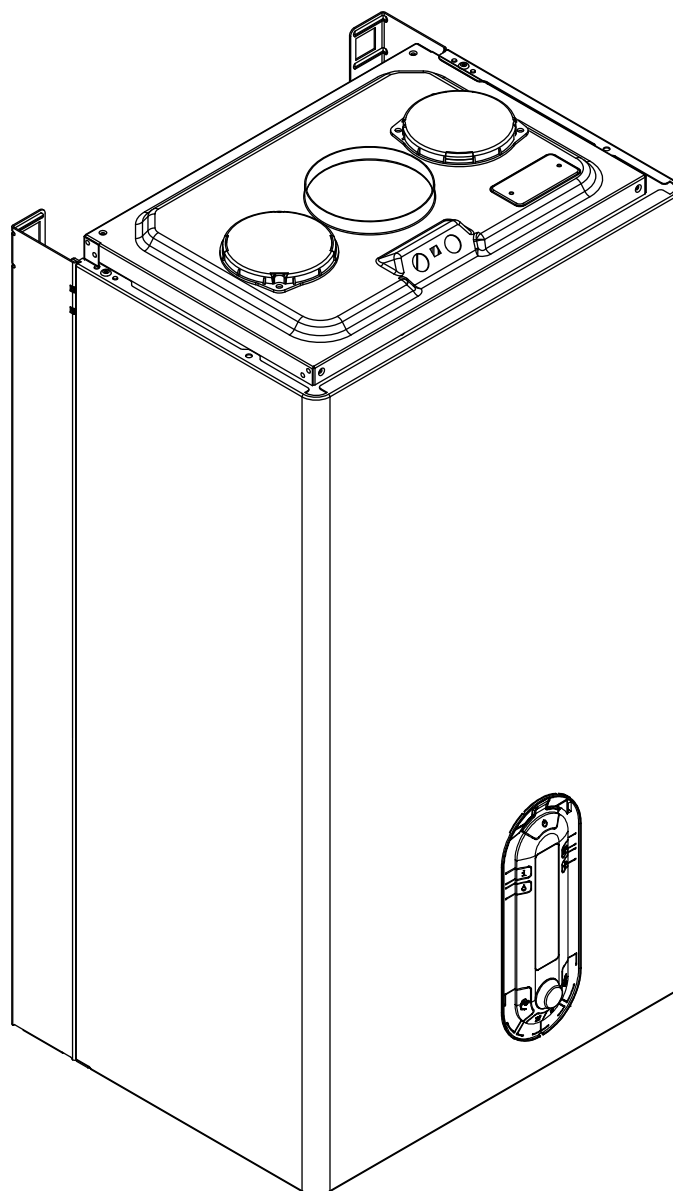
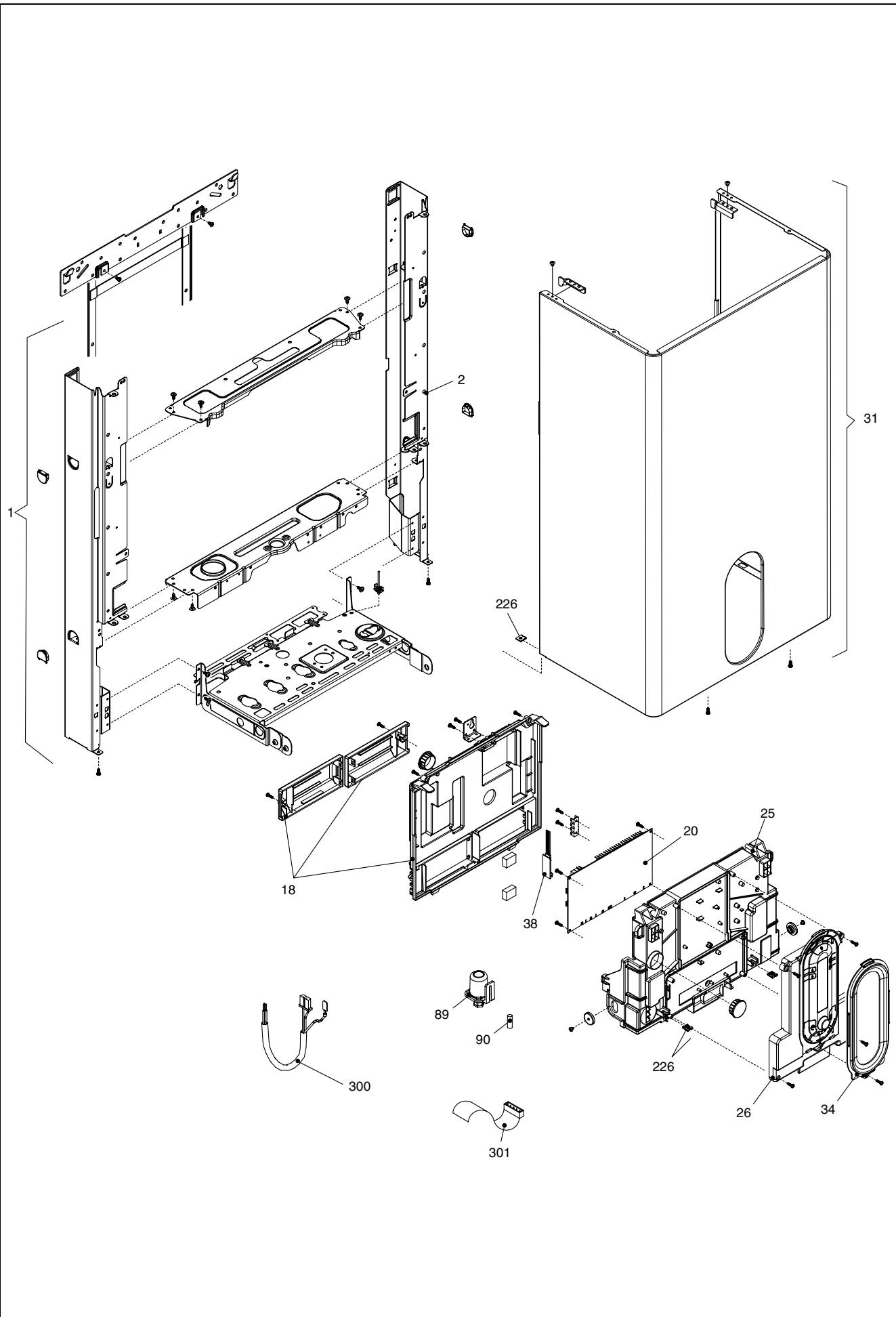


Wall hung boilers

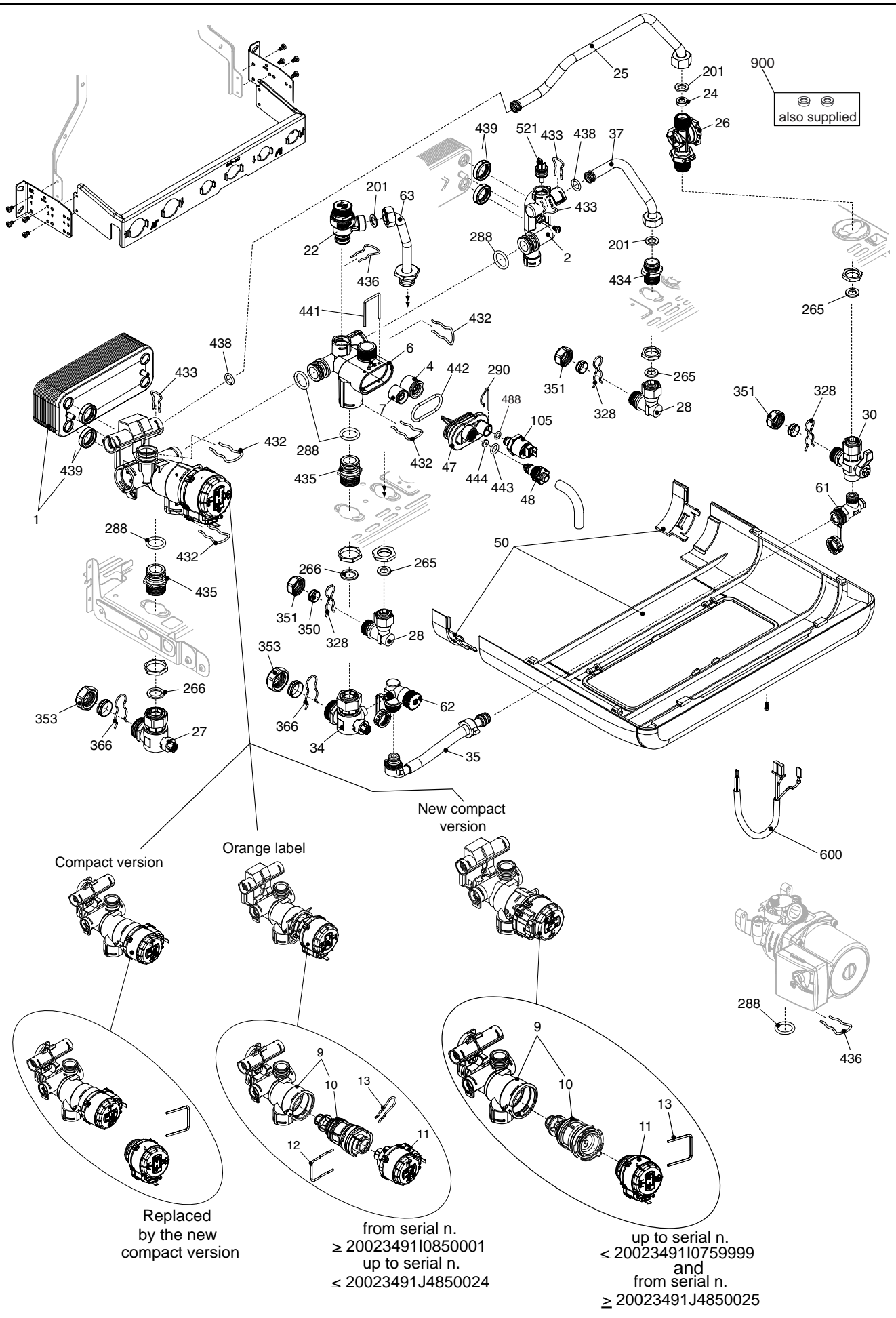
Linea One



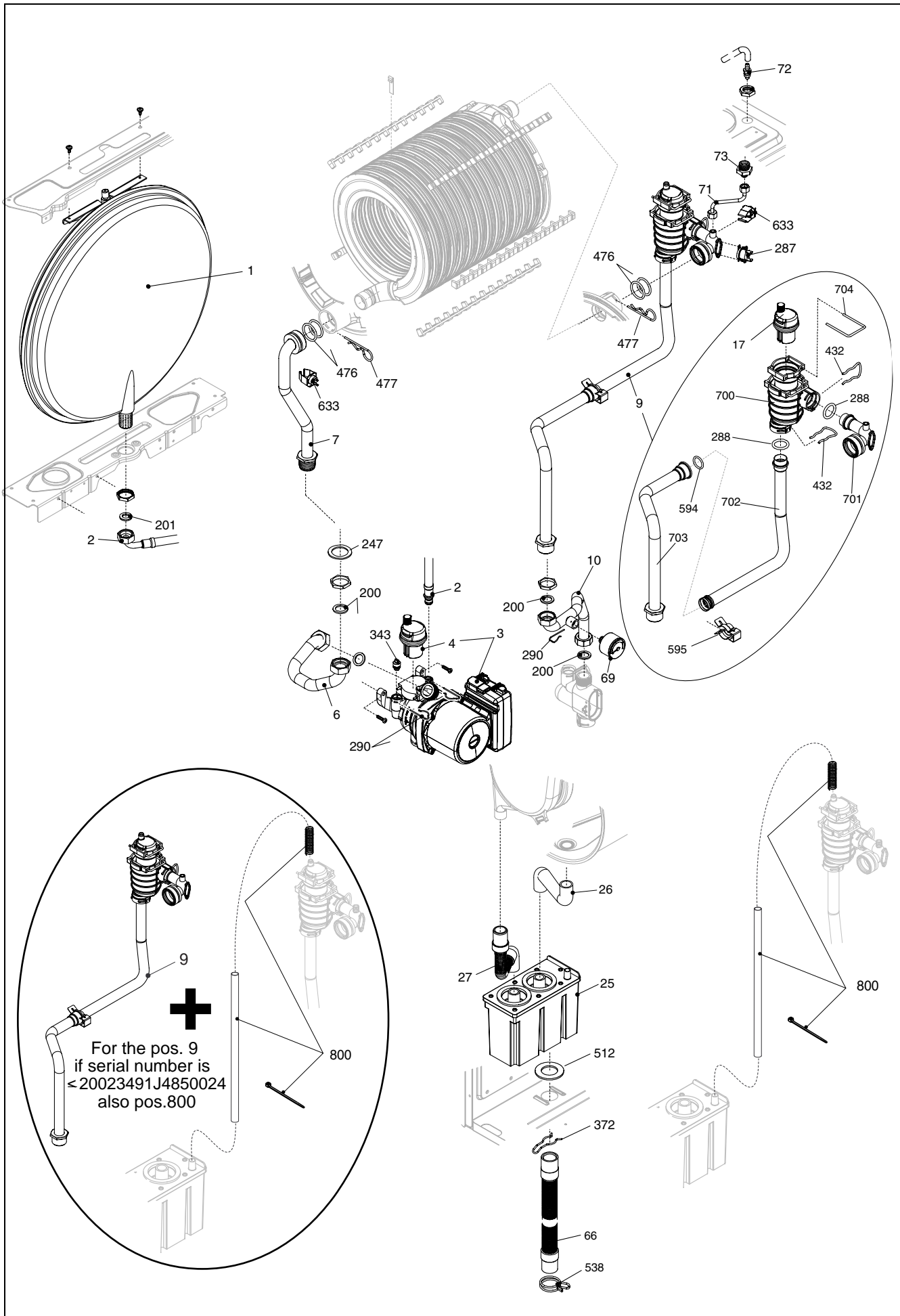
MODEL	PART NUMBER	
	MTN	GPL
Linea One	20023491	-



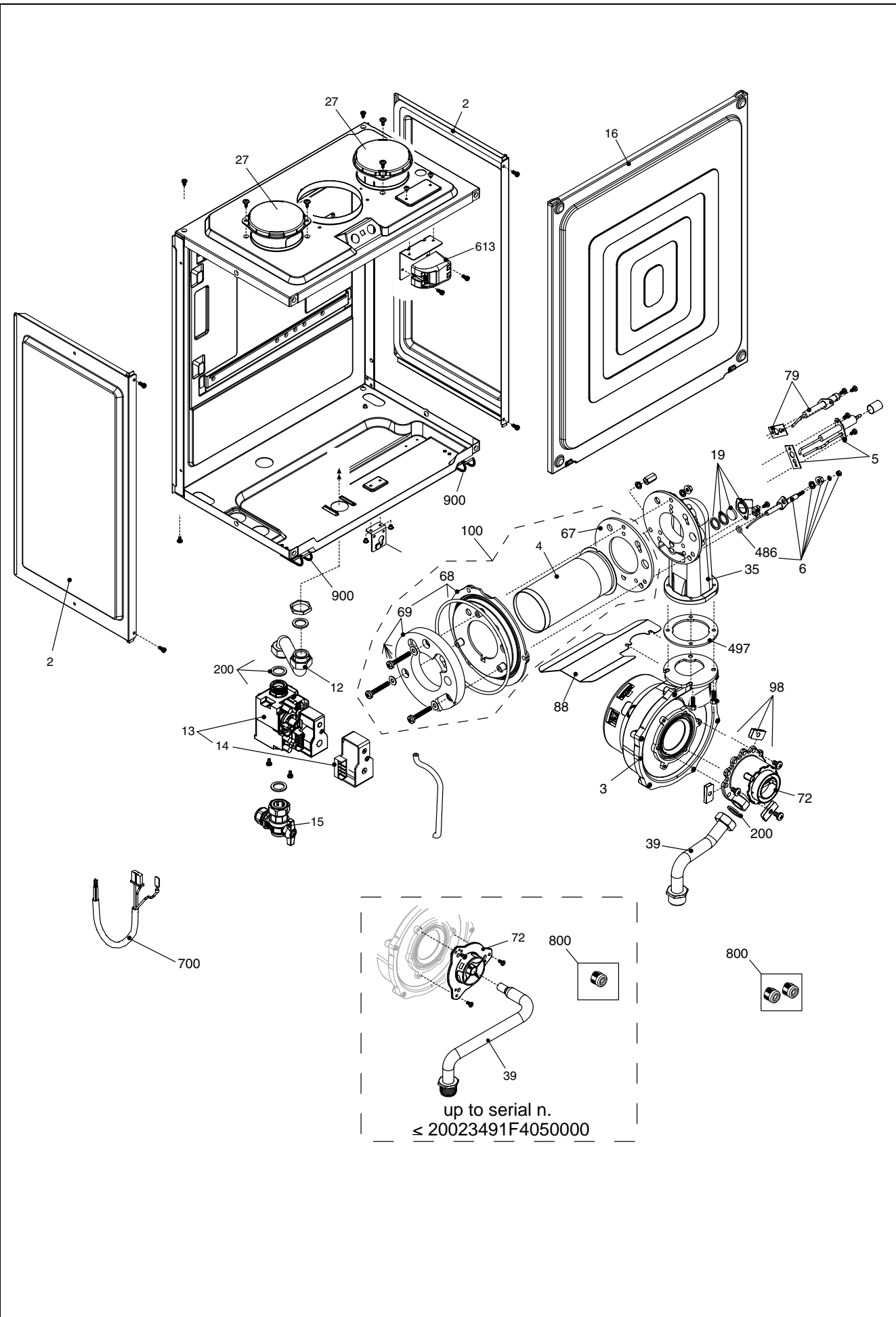
POS.	DESCRIPTION	CODE
1	Frame assembly	R01005365
18	Cover assembly	R10026239
20	Printed circuit board	20016283
25	Cover	R10025842
26	Control panel	20067421
31	Case Assembly	20026589
34	Fixing flange	R10026671
38	Printed circuit board	20024205
89	Detector	R1582
90	Fuse	R3478
226	Clip	R5128
300	Wiring harness	R10026330
300	Power wiring harness	20026587
300	Low tension cable	20016279
301	Electric connection band	R10026686
301	Electric connection band 8 ITRF06	R10026429



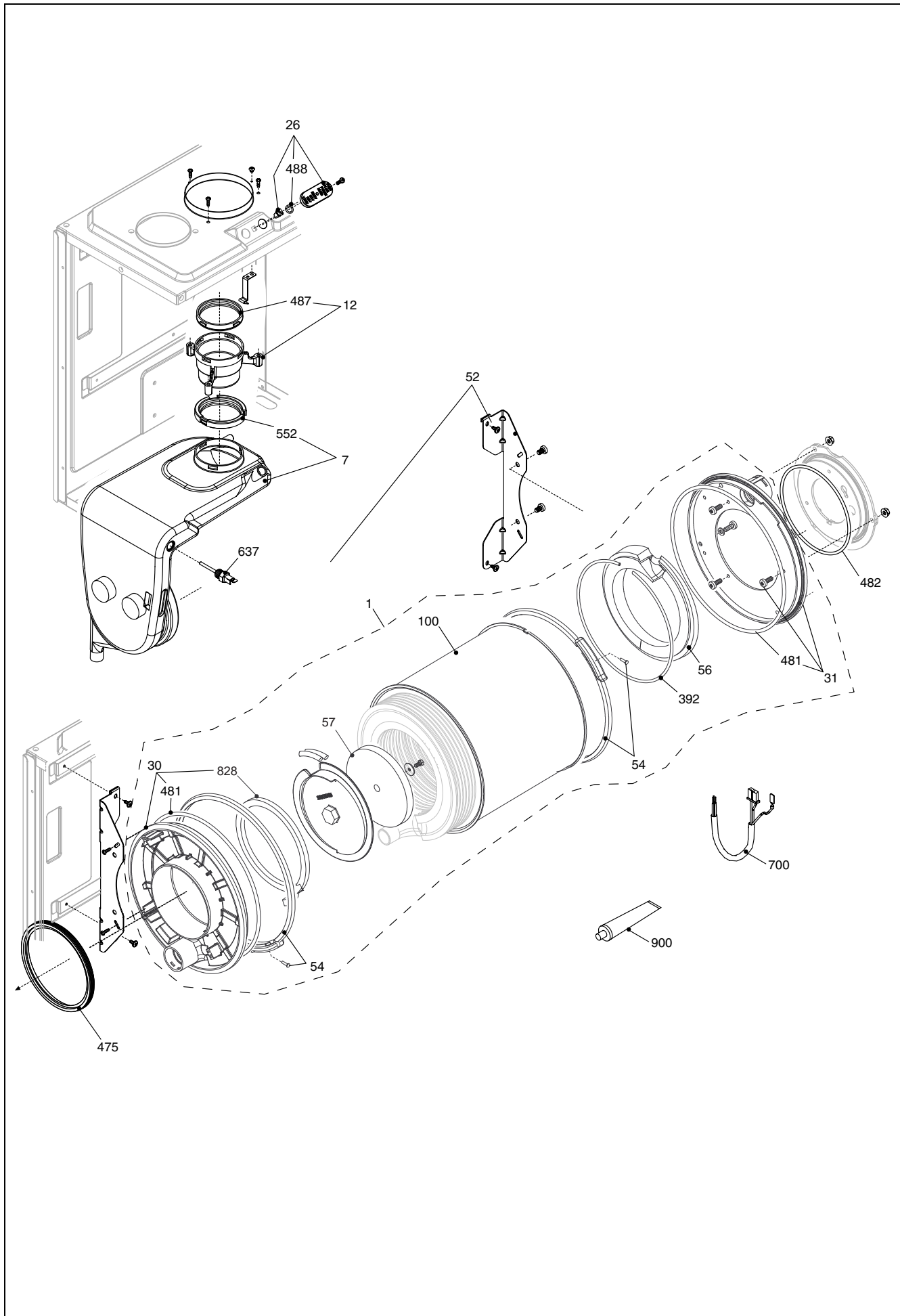
POS.	DESCRIPTION	CODE
1	Heat exchanger	R10023482
2	Connection	R10030114
4	Non return valve	R10025056
6	By-pass casing	R10024641
7	Low head by-pass valve	20007783
9	3-way heating manif.+cartridge (from serial n.≥...I0850001 up to ≤...J4850024)	R10026508
9	3-way heating manif.+cartridge (for all compact 3way heating manifold)	20021496
10	3 way valve cartridge (from serial n.≥...I0850001 up to ≤...J4850024)	R10025305
10	Cartridge (for all compact 3way heating manifold)	20043594
11	Actuator (from serial n.≥...I0850001 up to ≤...J4850024)	20024841
11	Actuator (for all compact 3way heating manifold)	20017594
12	Clip (from serial n.≥...I0850001 up to ≤...J4850024)	R10025450
13	Clip (from serial n.≥...I0850001 up to ≤...J4850024)	R10025449
13	Clip (for all compact 3way heating manifold)	20017598
22	Safety valve	20043820
24	Flow governor	R10026046
25	Pipe	20011423
26	Dhw actuator	20029985
27	Heating cock	R1789
28	Connection	R1790
30	Cock	R10023567
33	Insulator	20007047
34	Cock	R10023566
35	Flexible pipe	R10023570
37	Pipe	R10025840
47	Cover for by-pass assembly	R10024643
48	Cock	R10024646
50	Cover	R10026384
61	Non return valve	R10023569
62	Cock	R10023568
63	Pipe	R10026228
105	Pressure transducer	20024559
201	Washer	R5026
265	Washer	R5236
266	Washer	R5237
288	O ring	R6898
290	Clip	R2165
351	Nut	R1823
353	Nut	R1824
366	Clip	R1820
432	Clip	R10024958
433	Clip	R10024986
434	Nipple	R10024985
435	Fitting/union	R10025059
436	Clip	R10025062
438	O ring	R10024988
439	Washer	R10025067
441	Clip	R10025063
442	O ring	R10025065
443	O ring	R10025064
444	Washer	R10025066
488	O ring	R10026494
521	NTC sensor	R10027351
600	Hydraulic control cable	20025883
900	Flow governor	R10026041
900	Flow governor	R10026042



POS.	DESCRIPTION	CODE
1	Expansion vessel	R2573
2	Pipe	R10025188
3	Pump (Up to serial n. \leq 200234961K3950155)	20025880
3	Pump Kit (From serial n. \geq 20023491K3950156)	20070349
4	Air vent bottle	R10025485
6	Pipe	R10026264
7	Pipe	R10026267
9	Kit degasser + tube (also code 20096202 if serial n. \leq 20023491J4850024)	20020179
10	Pipe	20025881
17	Air vent valve	20019768
25	Condensate reservoir	R10028405
26	Condensation outlet tube	20061391
27	Flexible pipe	R10027192
66	Flexible pipe	R10026272
69	Pressure gauge	R10027135
71	Pipe	20020178
72	Vent plug	R10023235
73	Cock	R10028431
200	Washer	R5023
201	Washer	R5026
247	Washer	R5203
287	High limit	R2258
288	O ring	R6898
290	Clip	R2165
343	Pump plug	R2216
372	Clip	R2588
432	Clip	R10024958
476	O ring	R10026324
477	Split pin	R10026269
512	Washer	R10027193
594	Washer	20024869
595	Clip	20024086
633	NTC Detector	20078350
700	Degasser kit	20032553
701	Pipe	20019764
702	Pipe	20019763
703	Pipe	20020192
704	Clip	20019767
800	Degasser connection assembly	20096202



POS.	DESCRIPTION	CODE
2	Air chamber side	R10026231
3	Fan	20083136
4	Burner	20086250
5	Spark / ignition electrode	R10027620
6	Condense electrode	R10026316
12	Gas pipe	R10026318
13	Gas valve	20039202
14	Gas valve solenoid	20040675
15	3/4" gas cock	R10020897
16	Air chamber access panel	R10026230
19	Burner observation port kit	R10026328
27	Hole cover	20005586
35	Air/gas manifold	R10028420
39	Pipe (up to serial n.≤ 20023491F4050000)	R10028206
39	Gas pipe (from serial n.≥ 20023491F4125001)	20024600
67	Washer	R10026322
68	Flange	20046837
69	Protection	20046839
72	Mixer (up to serial n.≤ 20023491F4050000)	20015932
72	Mixer (from serial n.≥ 20023491F4125001)	20031497
79	Flame sensor	R10028422
88	Blower heat shield	20006411
98	Spacer	20036990
100	Burner assembly	20016328
200	Washer	R5023
486	O ring	R10026325
497	Washer	R10026796
613	Ignition transformer	20001563
700	Pump cable (PWM)	20024202
700	Combustion-fan cable	20016280
700	Pump cable	20025884
700	Spark electrode cable	R10026558
700	Gas valve cable	R10026336
800	Ng conversion kit (up to serial n.≤ 20023491F4050000)	R01005466
800	Ng conversion kit (from serial n.≥ 20023491F4125001)	20031414
800	LPG conversion kit (up to serial n.≤ 20023491F4050000)	R01005448
800	LPG conversion kit (from serial n.≥ 20023491F4125001)	20031415
900	Clips	20061168



POS.	DESCRIPTION	CODE
1	Condensing exchanger	20024591
7	Conveyor	20007053
12	Flue drain connection	R10028421
26	Cap smoke analysis	20089999
30	Flange assembly	20101331
31	Burner flange	20047807
52	Bracket assembly	20101332
54	Ring closing	20047811
56	Insulation panel	20047812
57	Tryton retarder	20036537
100	Container exchanger	20048271
392	Washer	20047819
475	Outlet heat exch.seal gasket	R10026323
481	Washer	20047802
482	Inlet heat exch.seal gasket	R10026366
487	Washer Ø 60	R10026345
488	O ring	R10026494
552	Washer Ø 60	R10028426
637	Flue sensor	20007050
700	Combustion cable	20016282
828	Washer	20095796
900	Tube sealant	20047820



Vokera reserve the right to change the specifications without prior notice.
Consumers' statutory rights are not affected.