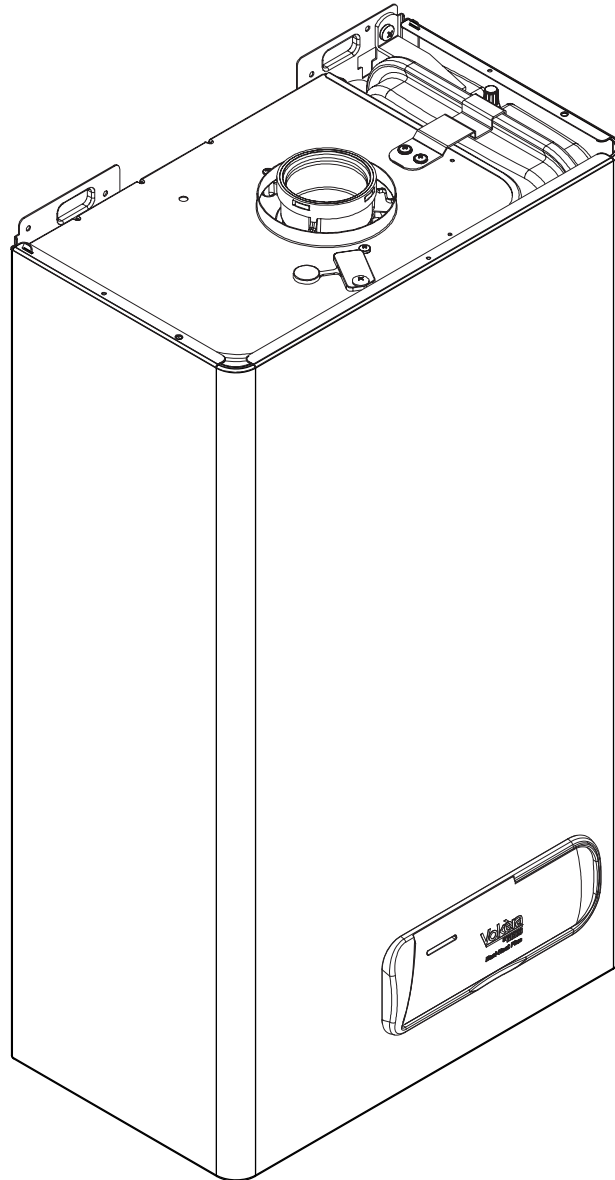
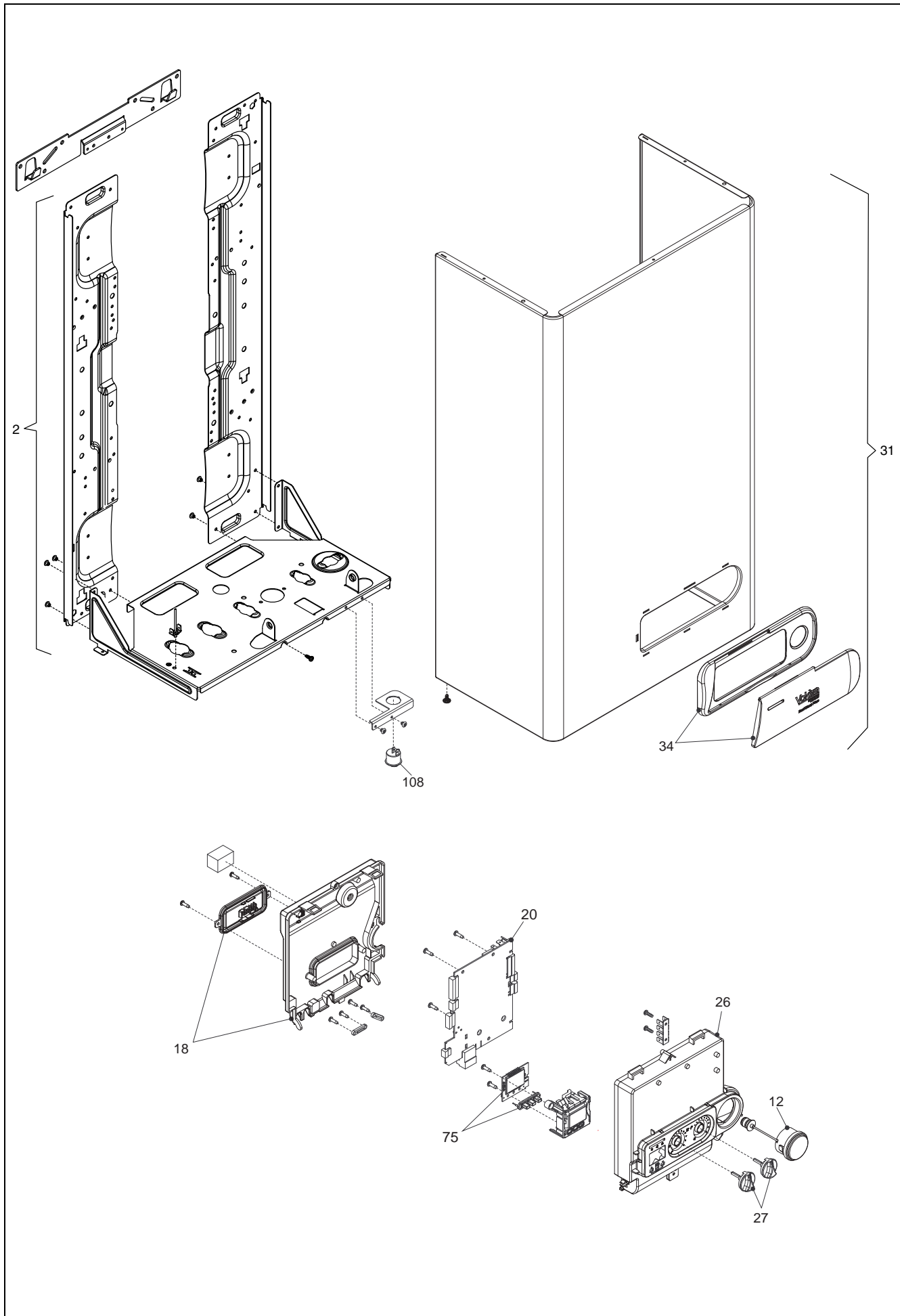


Wall hung boilers

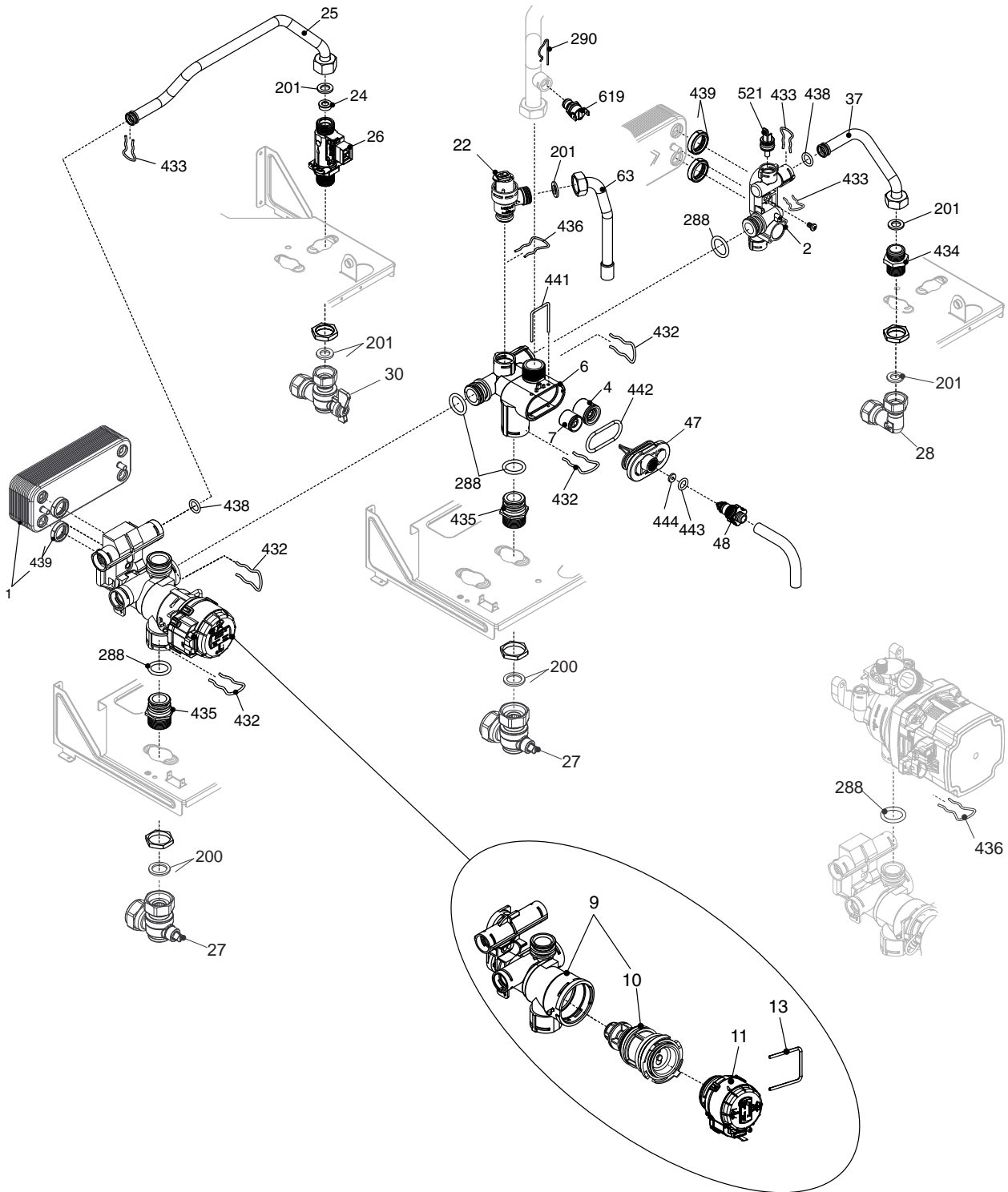
Easi-Heat Plus



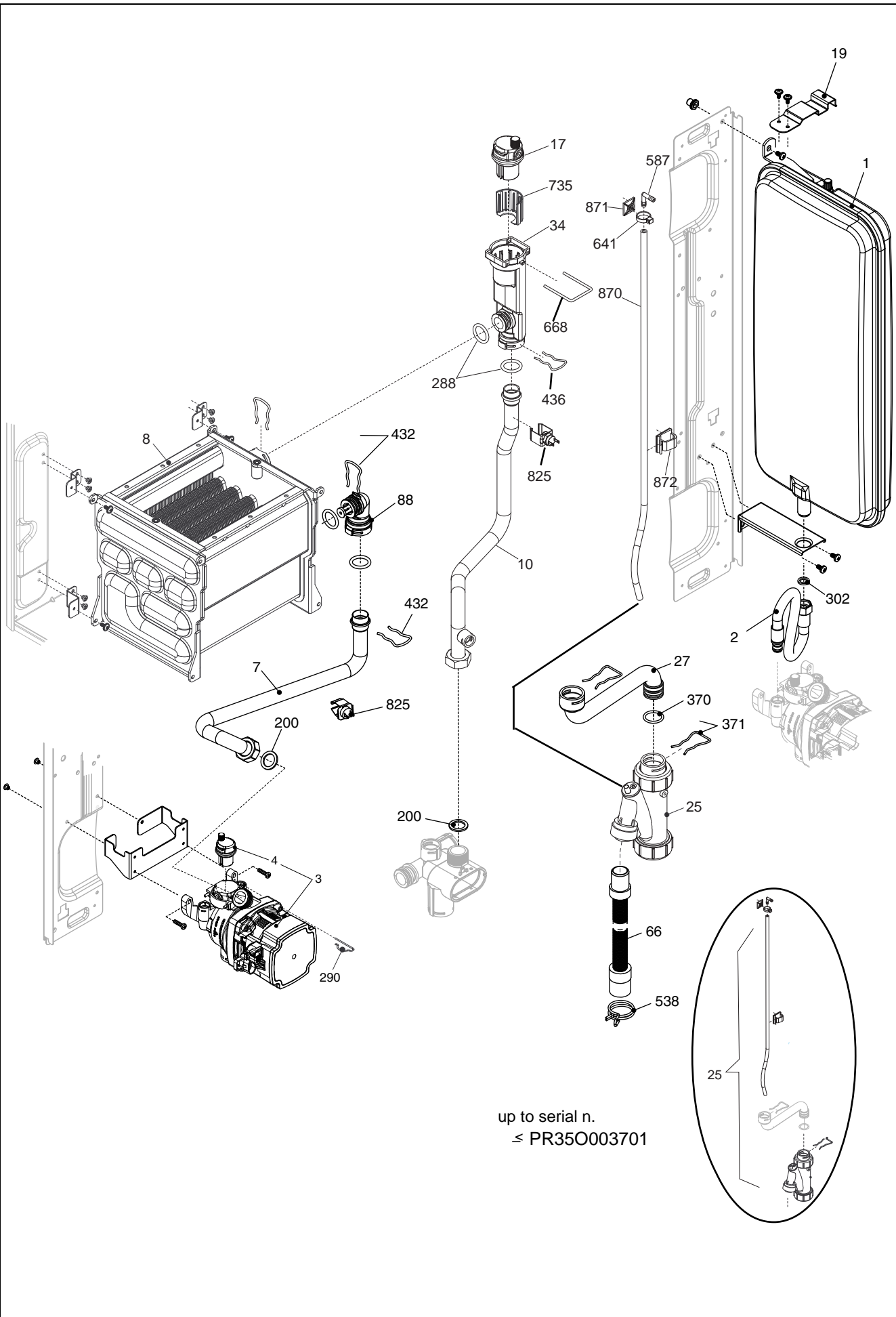
MODEL	PART NUMBER	
	MTN	GPL
Easi-Heat Plus 29Ci	20158334	20158335



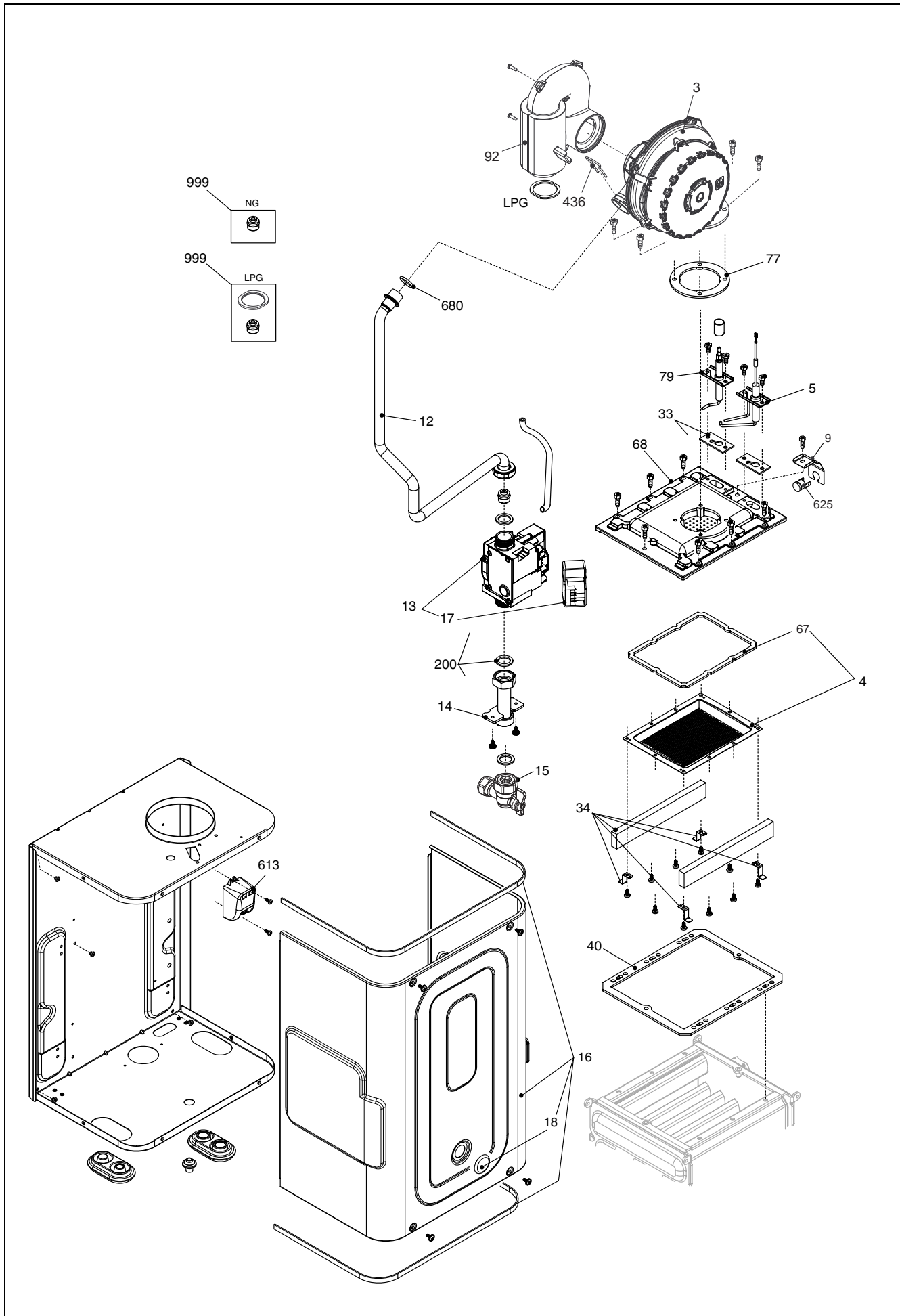
POS.	DESCRIPTION	29ci
2	Frame assembly	20011411
12	Quick primer pressure gauge	20005580
18	Control panel cover	20026055
20	Printed circuit board	20145176
26	Instrumental panel	20164547
27	Control knob	20014025
31	Case Assembly	20118922
34	Fixing flange	20118921
75	Card and keyboard	20164546
108	Switch	R106647



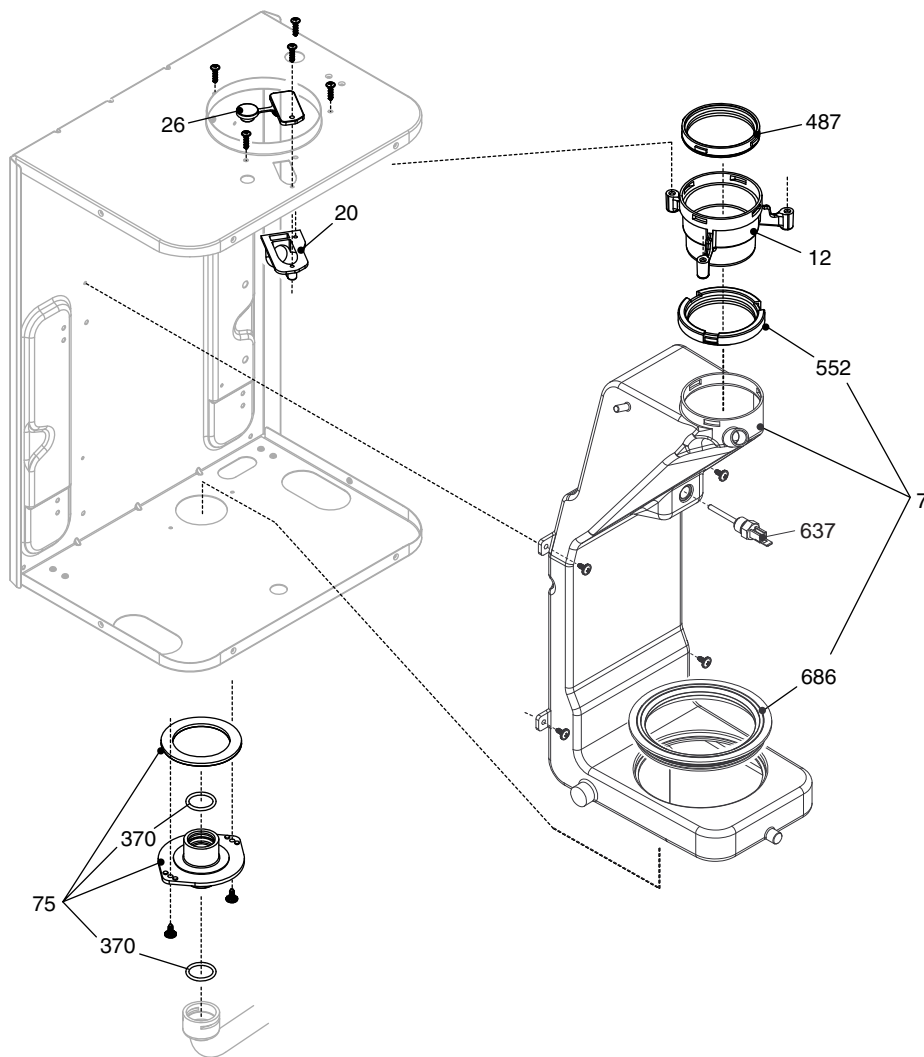
POS.	DESCRIPTION	29ci
1	Exchanger	R8037
2	Connection	R10030114
4	Non return valve	R10025056
6	By-pass casing	R10024641
7	High head by-pass valve	R1552
9	3-way heating manif.+cartridge	20021496
10	Cartridge	20043594
11	Actuator	20017594
13	Clip	20017598
22	Safety valve	20043820
24	Flow governor	R10024987
25	Pipe	20011423
26	Dhw actuator	20069786
27	Heat water cock	20132653
28	Angle pipe	20132654
30	Cock	20164543
37	Pipe	R10025840
47	Cover for by-pass assembly	20133375
48	Cock	R10024646
63	Pipe	20025755
200	Washer	R5023
201	Washer	R5026
288	O-ring	R6898
290	Clip	R2165
432	Clip	R10024958
433	Clip	R10024986
434	Nipple	R10024985
435	Fitting/union	R10025059
436	Clip	R10025062
438	O-ring	R10024988
439	Washer	R10025067
441	Clip	R10025063
442	O-ring	R10025065
443	O-ring	R10025064
444	Washer	R10025066
521	NTC sensor	R10027351
619	Pressure	20003181



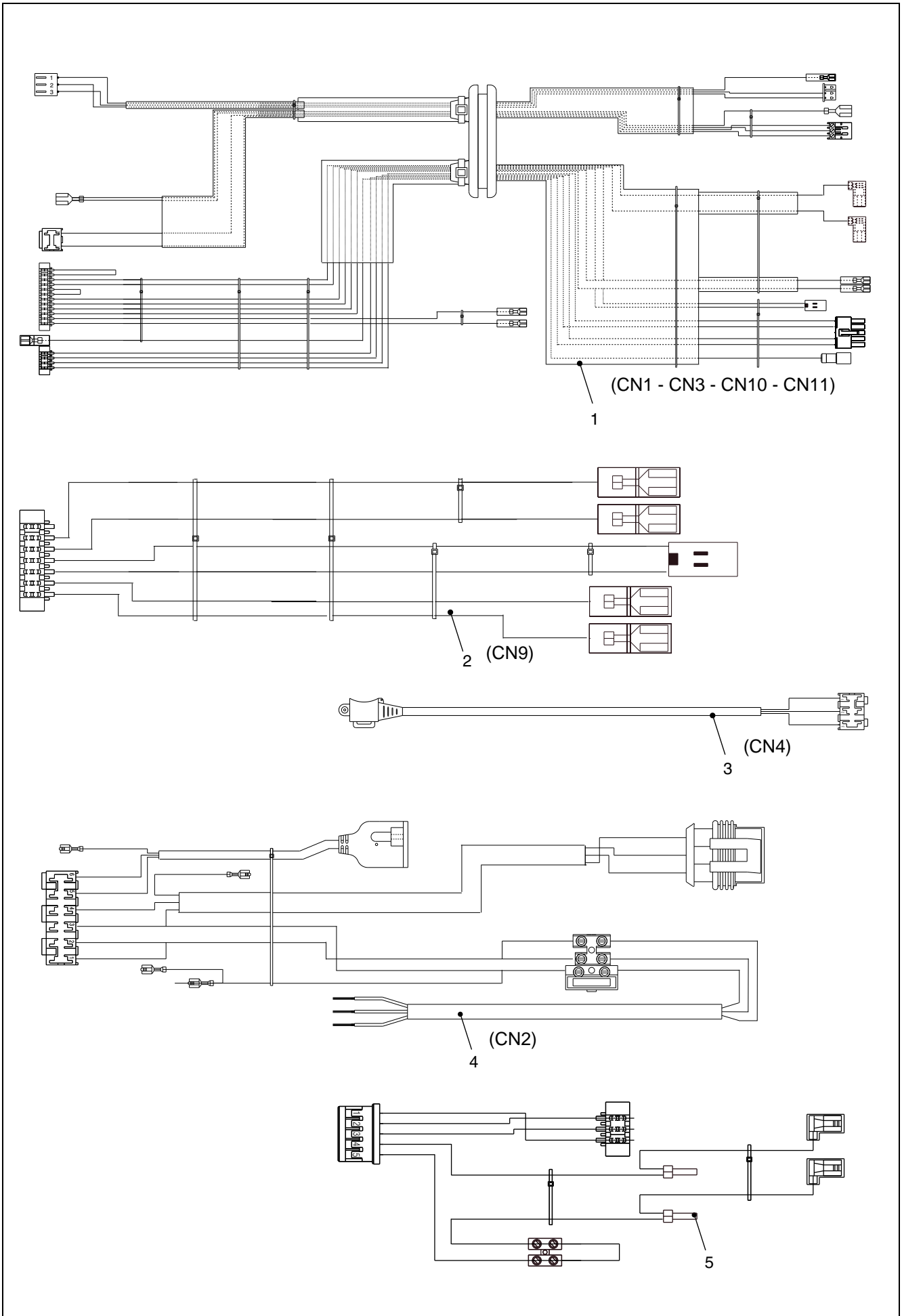
POS.	DESCRIPTION	29ci
1	8 lt. expansion vessel	20138101
2	Pipe	R10028603
3	6m. pump	20136316
4	Air vent bottle	R10025485
7	Pipe	20137499
8	Condensing exchanger assembly	20039924
10	Pipe	20164545
17	Air vent valve	20147535
19	expansion vessel bracket	20125261
25	Drainage pipe + siphon kit (up to serial n. PR34O003701)	20169871
25	Siphon (from serial n. PR34O003702)	20169889
27	Condensation outlet tube	20025743
34	Hydraulic connection	20164544
66	Flexible pipe	R10027545
88	Connection	20039954
200	Washer	R5023
288	O-ring	R6898
290	Clip	R2165
302	Washer	R5025
370	O-ring	R10023533
371	Clip	R10023532
432	Clip	R10024958
436	Clip	R10025062
538	Hose clamp	20152306
587	Connection (serial n. PR34O003702)	R10030382
668	Clip	20019767
735	Water filter	20165861
825	NTC Detector	20078350
870	Silicone tube (serial n. PR34O003702)	20169891



POS.	DESCRIPTION	29ci
3	Integrated fan	20081318
4	Burner	20055216
5	Spark ignition electrode	20025737
9	Clip	20093799
12	Pipe	20025745
13	Gas valve	20039202
14	Gas pipe	20005553
15	Heating cock	20132650
16	Combustion chamber cover	20127346
17	Gas valve solenoid	20040675
33	Electrode seal	20025740
34	Protection	20046270
40	Heat exchanger gasket (29kw)	20160020
67	Burner seal (29kw)	20160019
68	Cover	20046266
77	Washer	20025753
79	Flame sensor electrode	20043523
92	Silencer	20025760
200	Washer	R5023
436	Clip	R10025062
613	Ignition transformer	20001563
625	High limit thermostat	20005585
680	Washer	20024869
999	Ng conversion kit	20113104
999	Lpg conversion kit	20113110



POS.	DESCRIPTION	29ci
7	Conveyor	20026060
12	Flue drain connection	R10028421
20	Outlet nut	20026049
26	Plug	20026058
75	Flue collector	20026056
370	O-ring	R10023533
487	Washer Ø 60	R10026345
552	Washer Ø 60	R10028426
637	Flue sensor	20007050
686	Washer	20026059



POS.	DESCRIPTION	29ci
1	Combustion cable	20025736
2	Low tension cable	20113021
3	Hydraulic control cable	20017596
4	Power wiring harness	20096531
5	PCB cable	20165857

Rev.	Data	Descrizione
1.0	30/04/2019	E00120190195 : Interruttore ingresso TA , cablaggio scheda , filtro acqua degasatore E00120190224 : standardizzazione flussostato E00120190217 : Copertura posteriore e coperchietto ispezione
2.0	06/09/2019	E001 20190311 : sifone scarico condensa e coll. atmosferico (con gestione matricola)

Vokèra
BY **RIELLO**

Vokera reserve the right to change the specifications without prior notice.
Consumers' statutory rights are not affected.